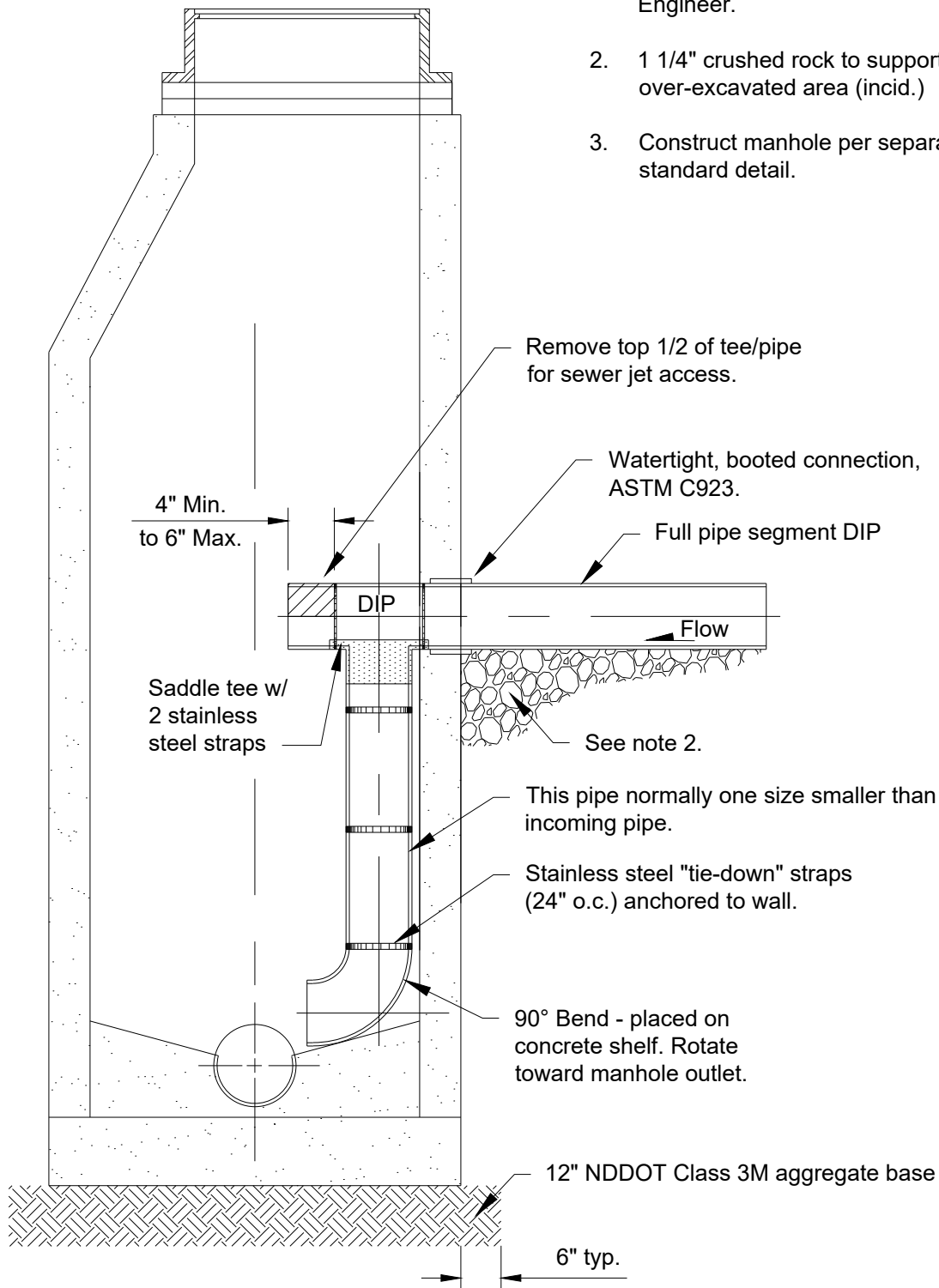


Notes:

1. The interior drop connection as shown will only be used with the expressed consent of the City Engineer.
2. 1 1/4" crushed rock to support pipe in over-excavated area (incid.)
3. Construct manhole per separate standard detail.



M:STANDARD_SPECS & DETAIL S:2019:Detail Plates:SAN-4 SANITARY SEWER INSIDE DROP CONNECTION.dwg

City Plate No.:
SAN-4
Last Revision:
6/5/2019
File:
SAN_4.dwg

**STANDARD DETAILS
SANITARY SEWER
INSIDE DROP CONNECTION**

