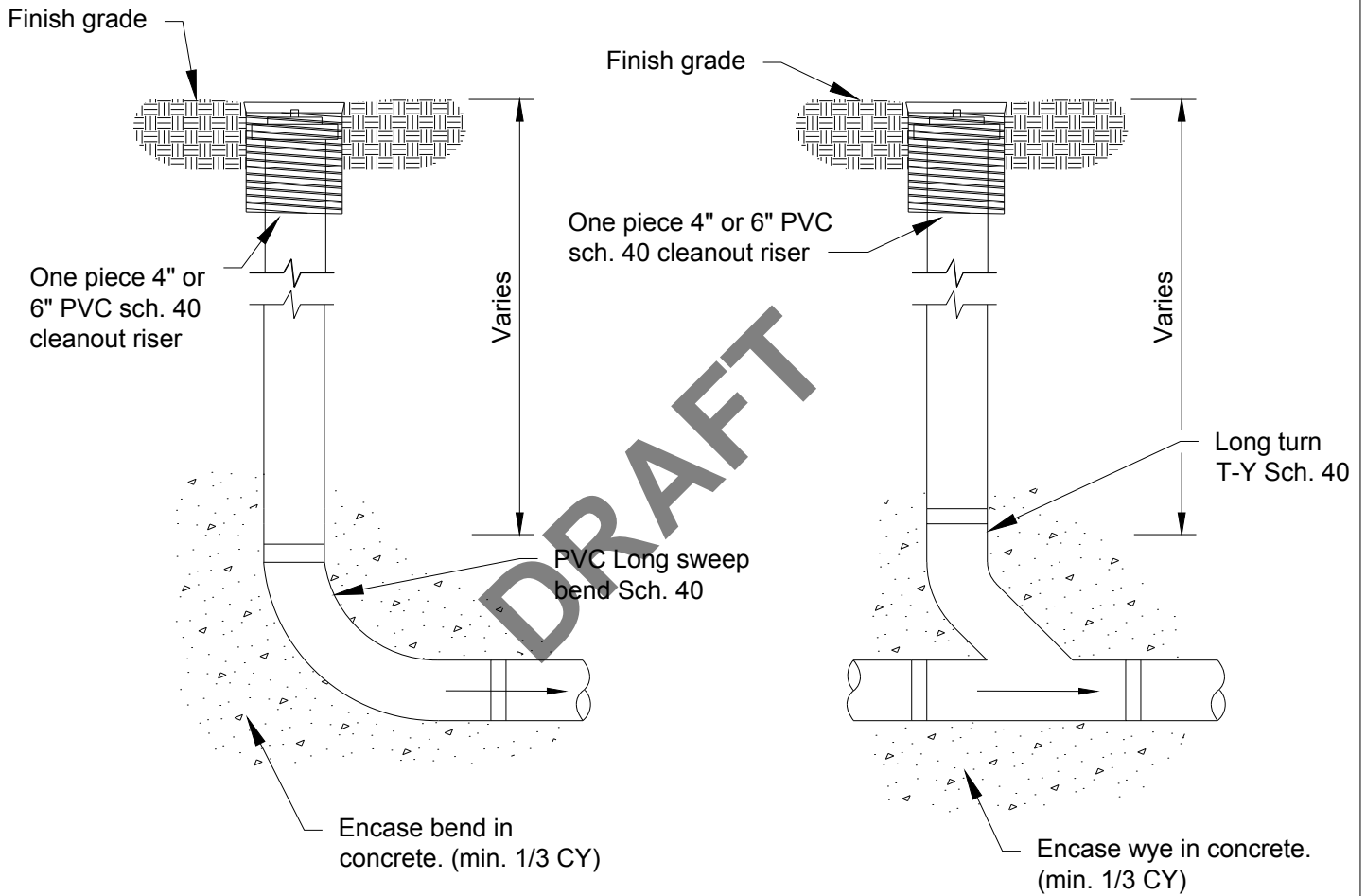


Notes:

1. Threaded PVC plug. Do not glue.
2. For 4" cleanouts, use a 10" GV top section with lid.
3. For 6" cleanouts, use PROSELECT Assembled Cast Iron Cleanout Body with Cover, model number PSVBM1007SWR or approved equal.
4. SDR 26 may be used for 6" PVC.



END OF LINE CLEANOUT

IN-LINE CLEANOUT

City Plate No.:
SER-3
Last Revision:
4/11/2019
File:
SER_3.dwg

**STANDARD DETAILS
SANITARY SERVICE LINE
CLEANOUTS**

