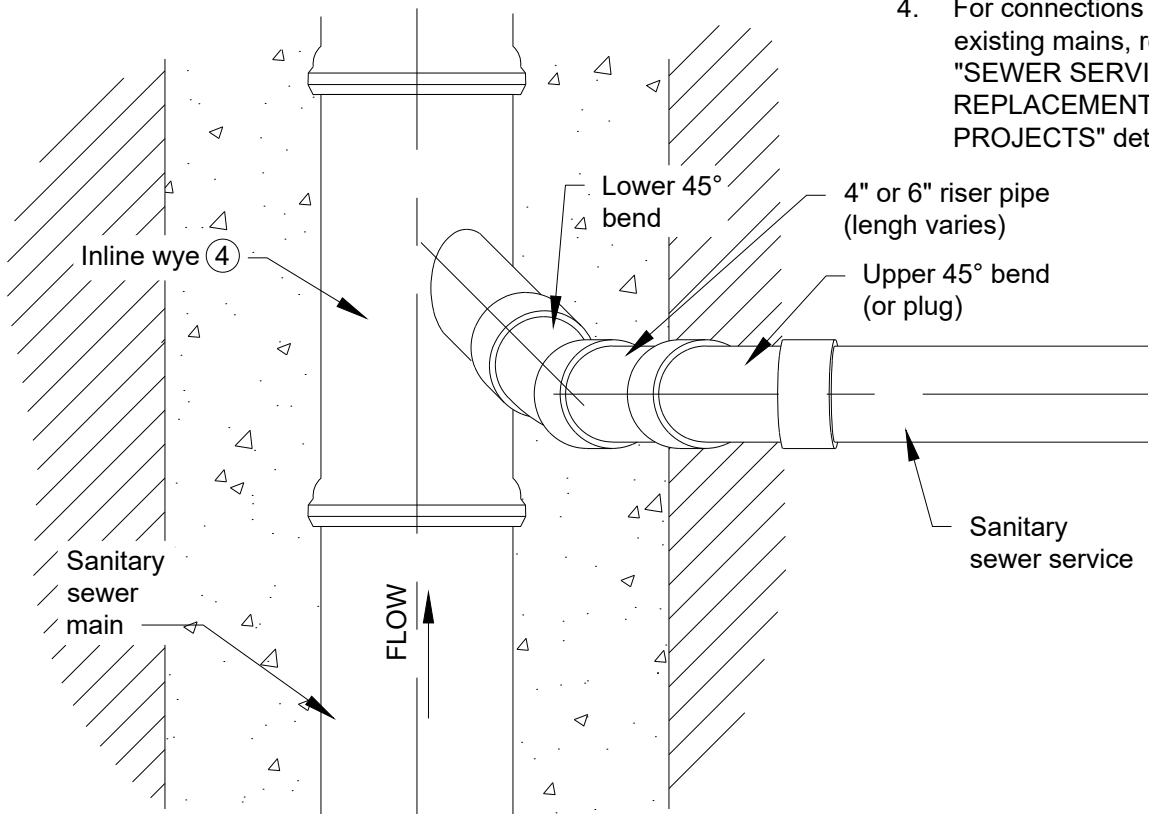


**Notes:**

1. SDR 26 may be used for 6" diameter PVC.
2. Angle of tee from vertical may be varied to suit height of riser.
3. If length of riser is 5 feet or greater, 1 1/4" crushed rock bedding shall be used to encase the wye and lower bend.
4. For connections to existing mains, refer to "SEWER SERVICE FOR REPLACEMENT PROJECTS" detail.



M:\STANDARD SPECS & DETAIL\SP2019\Detail\Plates\SER-5\_SEWER SERVICE RISER.dwg

City Plate No.:  
SER-5  
Last Revision:  
6/5/2019  
File:  
SER\_5.dwg

**STANDARD DETAILS  
SEWER SERVICE RISER**

