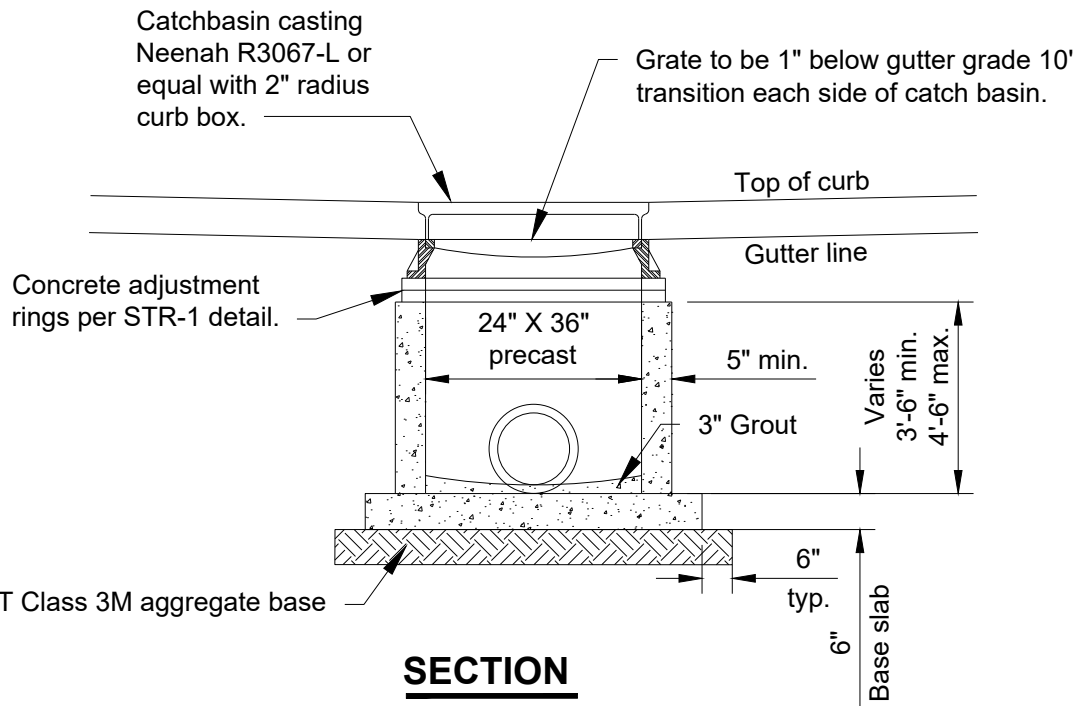


Note:

No concrete behind or on top of catch basin casting.

**PLAN**



**Notes:**

1. Doghouses shall be grouted on both the inside and outside.
2. Precast concrete sections only. No block structures are allowed.

**SECTION**

M:\STANDARD SPECS & DETAIL S\2019\Detail Prints\STO-3\_CATCH BASIN CURB & GUTTER INSTALLATION.dwg

City Plate No.:  
STO-3  
Last Revision:  
6/5/2019  
File:  
STO\_3.dwg

**STANDARD DETAILS  
CATCH BASIN  
CURB & GUTTER INSTALLATION**

