

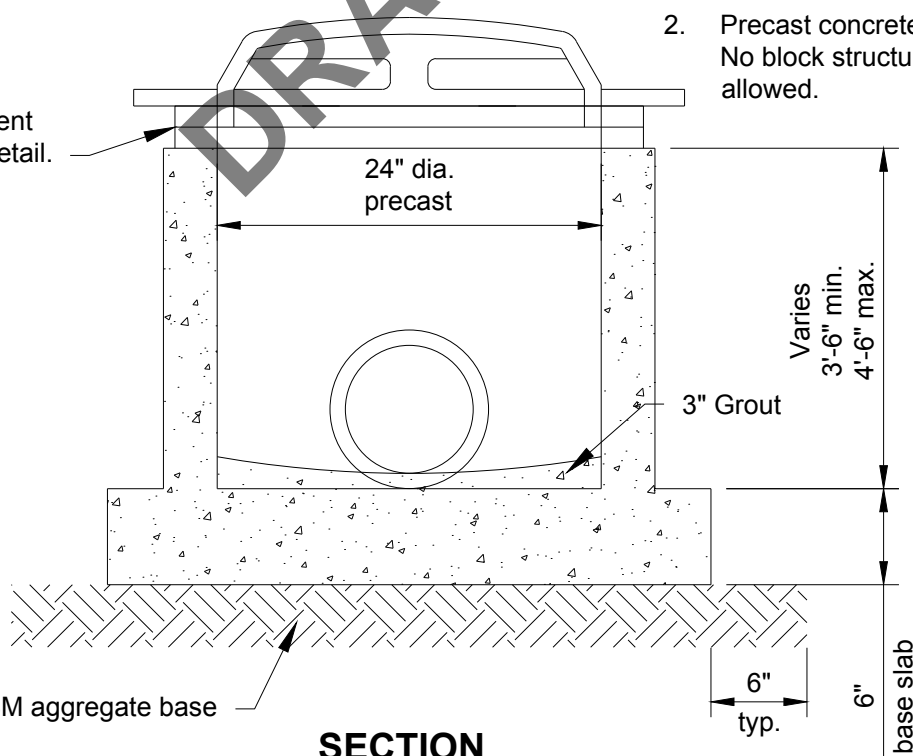
Neenah R4342 casting
or approved equal.

PLAN

Notes:

1. Doghouses shall be grouted on both the inside and outside.
2. Precast concrete sections only. No block structures are allowed.

Concrete adjustment
rings per STR-1 detail.



12" Class 3M aggregate base

SECTION

City Plate No.:
STO-5A

Last Revision:
4/11/2019

File:
STO_5A.dwg

**STANDARD DETAILS
ROUND INLET
INSTALLATION**