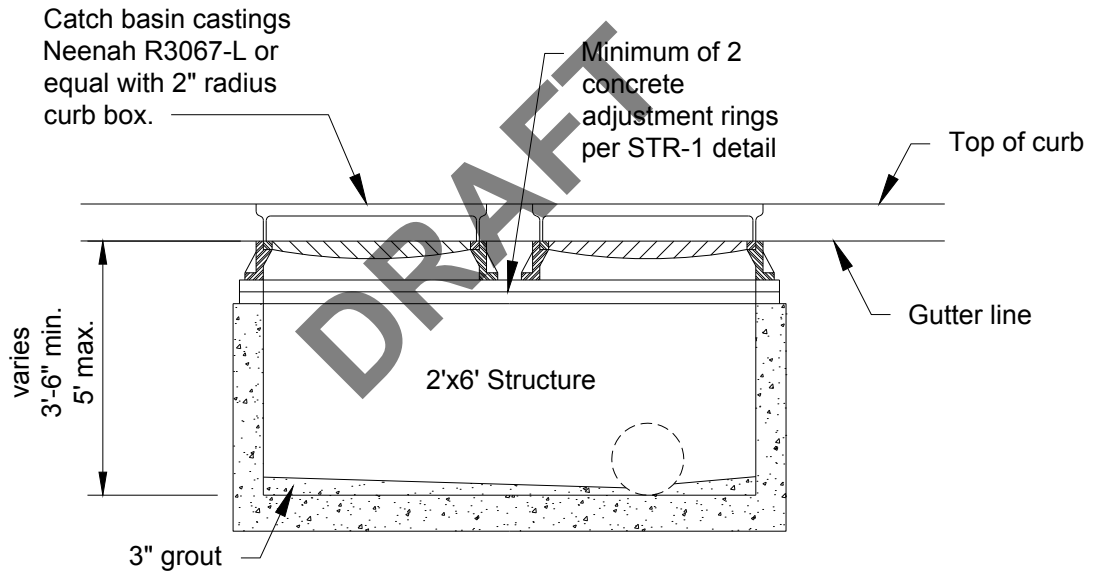


Note:
No concrete behind or on top of catch basin casting.

PLAN



SECTION A - A

Notes:

1. Doghouses shall be grouted on both the inside and outside.
2. Precast concrete sections only. No block structures allowed.
3. Catch basin manhole if build is greater than 5' or if required to accommodate outlet pipe size/alignment.
4. Catch basin to be depressed 1" below design gutter line grade.
5. 4" opening max.

C:\Users\raskopcard\Desktop\MINOT DETAIL\DOUBLE CATCH BASIN.dwg

City Plate No.: STO-7
Last Revision: 4/10/2019
File: STO_7.dwg

**STANDARD DETAILS
DOUBLE CATCH BASIN
CURB & GUTTER INSTALLATION**

