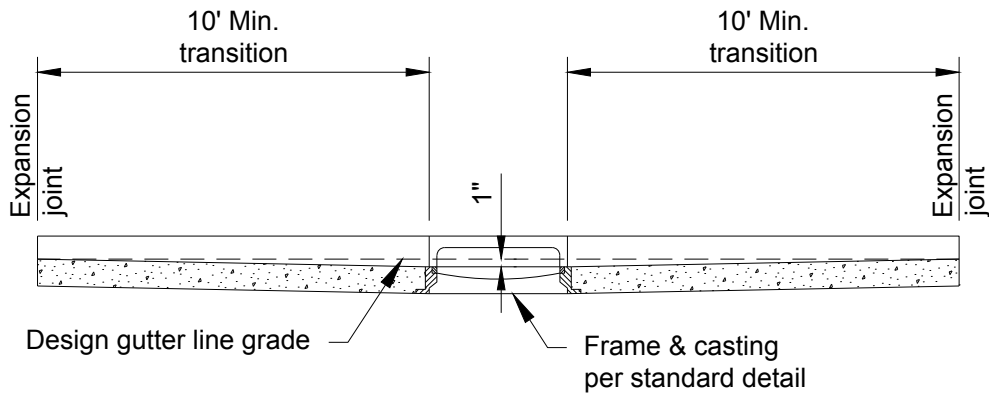


Notes:

1. Catch basin to be depressed 1" below design gutter line grade.
2. 4" opening max.
3. Shape curb to Type 1A dimensions at catch basin.

DRAFT

ISOMETRIC



SECTION A-A

C:\Users\stakeard\Desktop\MINOT DETAIL\STR-4 MOUNTABLE CURB & GUTTER CONSTRUCTION AT CATCH BASIN.dwg

City Plate No.:
STR-4
Last Revision:
4/11/2019
File:
STR_4.dwg

**STANDARD DETAILS
MOUNTABLE CURB & GUTTER
CONSTRUCTION AT CATCHBASIN**

