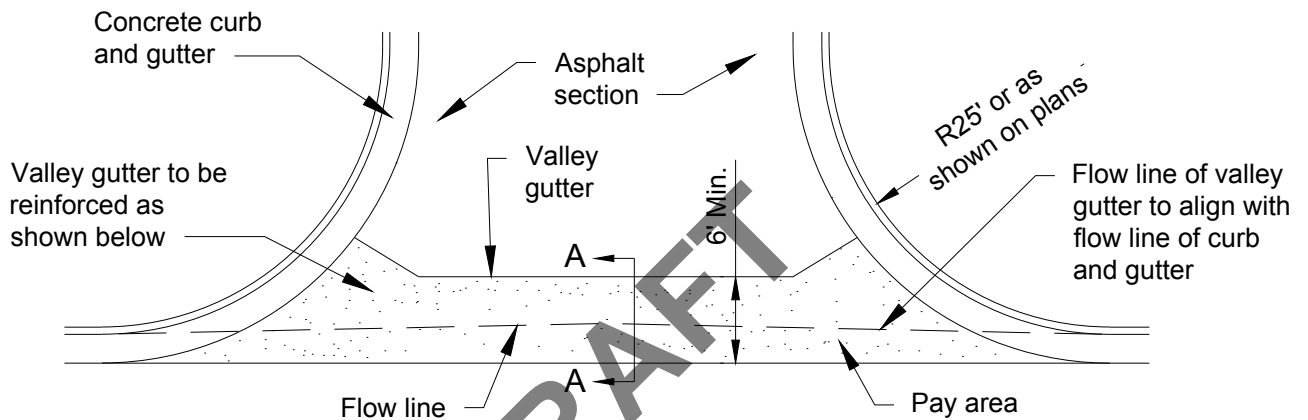


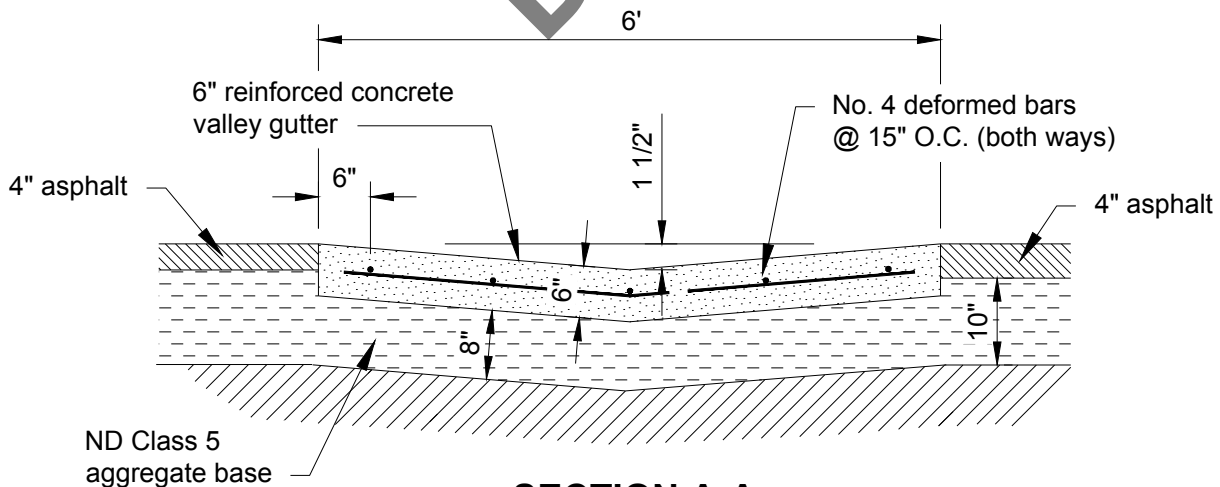
Notes:

1. Flow line to align with flow line of curb and gutter.
2. Installation of flow line to be incidental to concrete paving item.
3. No separate pay items.

CONCRETE STREET



ASPHALT STREET



SECTION A-A

Notes:

1. Aggregate base required under entire valley gutter.
2. Refer to plans for length of valley gutter.

C:\Users\skeneard\Desktop\MINOT DETAIL\S\SAN-1 SANITARY SEWER MANHOLE.dwg

City Plate No.:
STR-6
Last Revision:
4/11/2019
File:
STR-6.dwg

**STANDARD DETAILS
VALLEY GUTTER
DETAIL**

