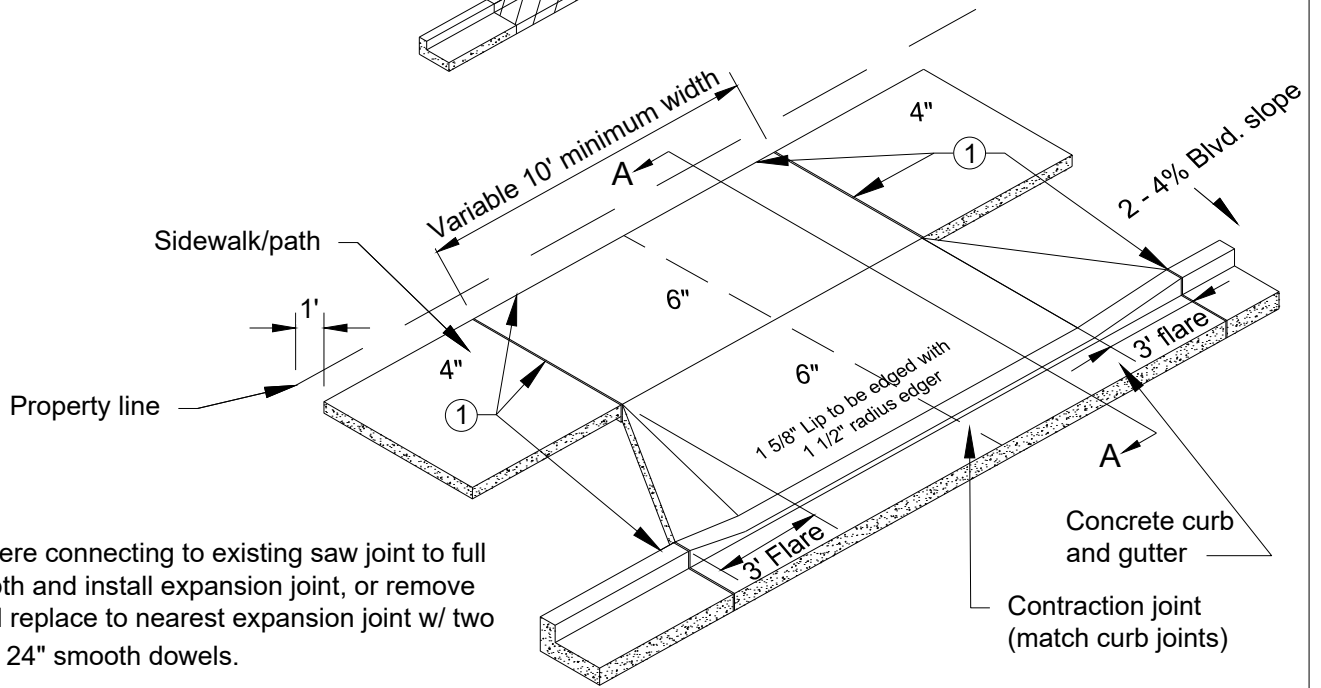


Remove concrete for driveway construction where required.

①

Remove curb and gutter. Entire curb and gutter section shall be removed prior to driveway construction.

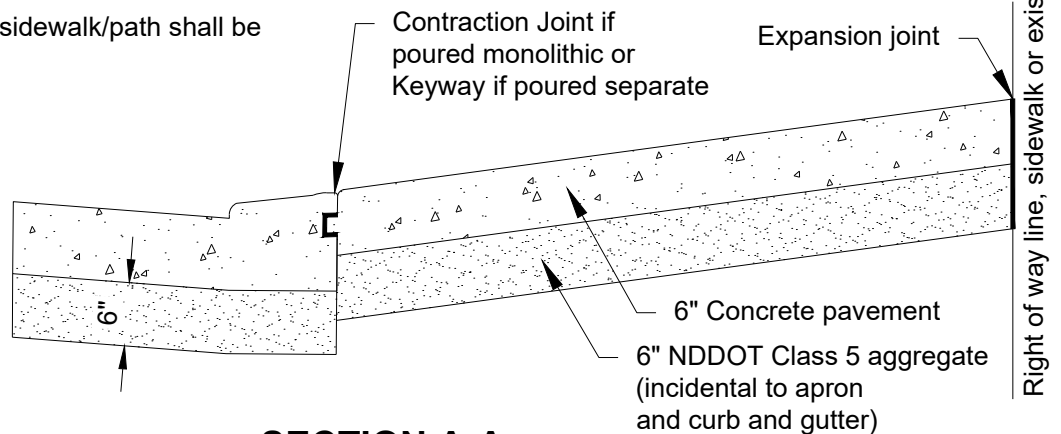
REMOVALS



Notes:

1. Where connecting to existing saw joint to full depth and install expansion joint, or remove and replace to nearest expansion joint w/ two 1/2" x 24" smooth dowels.
2. Driveways greater than 10' wide shall have contraction joints perpendicular to curb with maximum 10' spacing. Match curb joints.
3. Forms are required on all edges.
4. All HMA patches shall be done with NDDOT FAA 43 HMA pavement, PG 58-28.
5. Max. cross-slope of sidewalk/path shall be 2% at all locations.

ISOMETRIC



SECTION A-A

M:\STANDARD_SPECS & DETAIL\SP2019\Detail\Plates\STR-11C - CONCRETE DRIVEWAY APRON BOULEVARD GREATER THAN 4 FT.dwg

City Plate No.:
STR-11C

Last Revision:
6/5/2019

File:
STR_11C.dwg

**STANDARD DETAILS
CONCRETE DRIVEWAY APRON
BOULEVARD GREATER THAN 4 FT**

