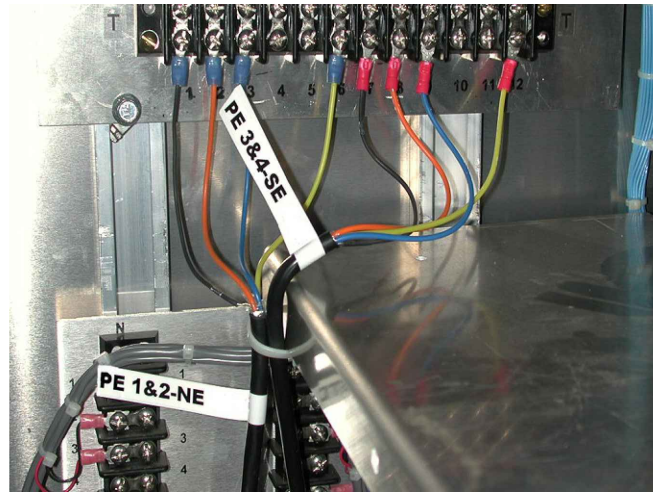


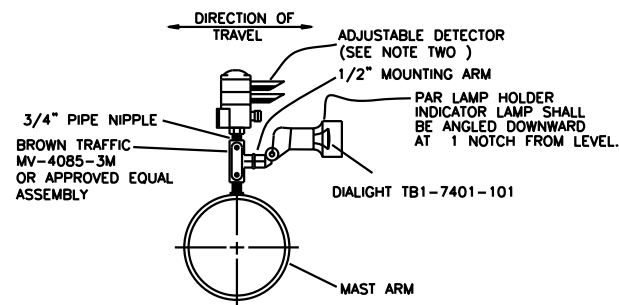
**PRE-EMPTION CABLE TERMINATION**

- TERMINAL T1  
PRE-EMPTION 1 AND 2-SHRINK WRAP GROUND WIRE
- TERMINAL T2  
PRE-EMPTION 1 AND 2-ORANGE WIRE-TOP TUBE
- TERMINAL T3  
PRE-EMPTION 1-TOP TUBE-BLUE WIRE
- TERMINAL T6  
PRE-EMPTION 2-BOTTOM TUBE-YELLOW WIRE
- TERMINAL T7  
PRE-EMPTION 3 AND 4-SHRINK WRAP GROUND WIRE
- TERMINAL T8  
PRE-EMPTION 3 AND 4-ORANGE WIRE-BOTTOM TUBE
- TERMINAL T9  
PRE-EMPTION 3-TOP TUBE-BLUE WIRE
- TERMINAL T12  
PRE-EMPTION 4-BOTTOM TUBE-YELLOW WIRE



**EMERGENCY VEHICLE DETECTOR DETAIL (ADJUSTABLE)**

(LOCATION AS SHOWN IN PLANS )



- NOTES:
- TWO WAY DETECTOR SHALL HAVE TYPE X UNILET WITH ONE PAR LAMP HOLDERS AND LAMP.
  - TWO-WAY DETECTOR SHALL HAVE THE DETECTOR LENS ROTATED TO FACE THE DIRECTIONS OF TRAVEL.

**MAST ARM MOUNTED STREET DESIGNATION SIGNS**

The following are examples of the sign format.

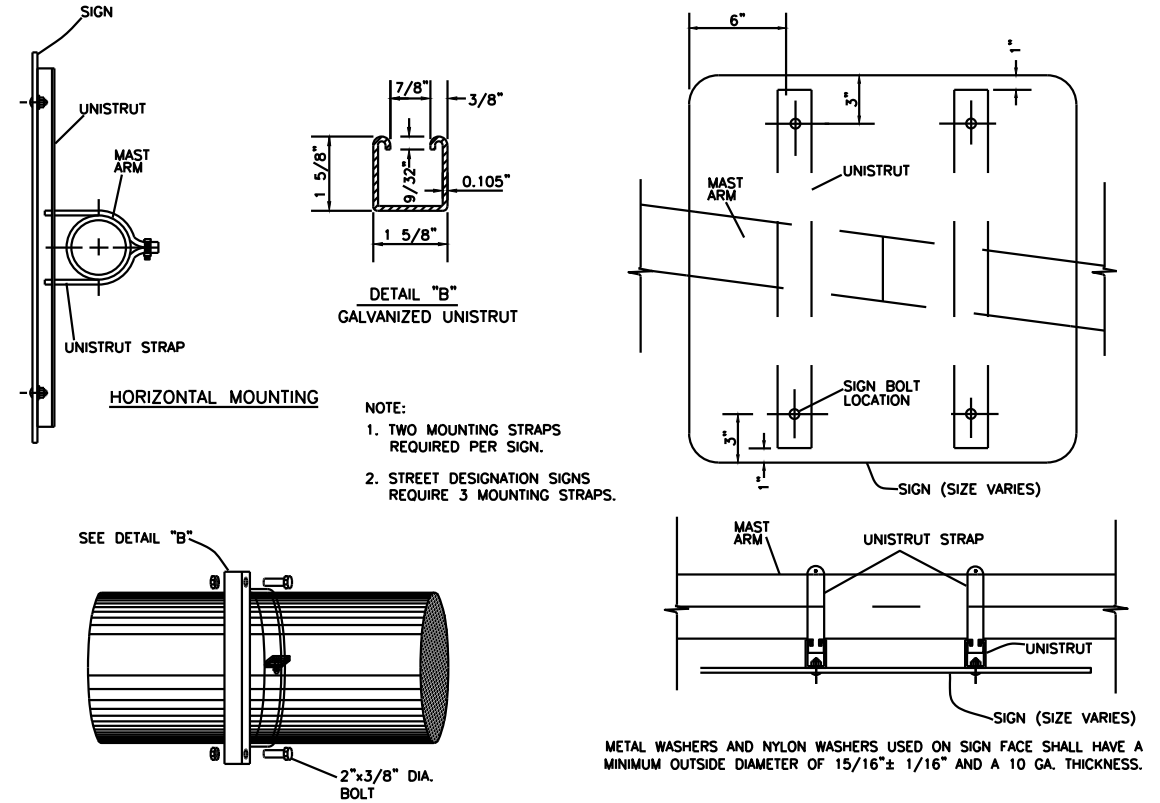


All mast arm mounted street designation signs shall utilize 18" 100 gauge flat aluminum, 48" or longer, depending on the space needed.

The signs shall have modified "E" series letters with a 12" upper and 9" lower case format and a 1" sign border. The superscripts shall be 6" (half size) capital letters and will line up with the top of the other letters and numbers.

The sign sheeting shall be 3M series DG3 sheeting, and any processed colors, inks, or electronic cuttable film shall be a matched component system.

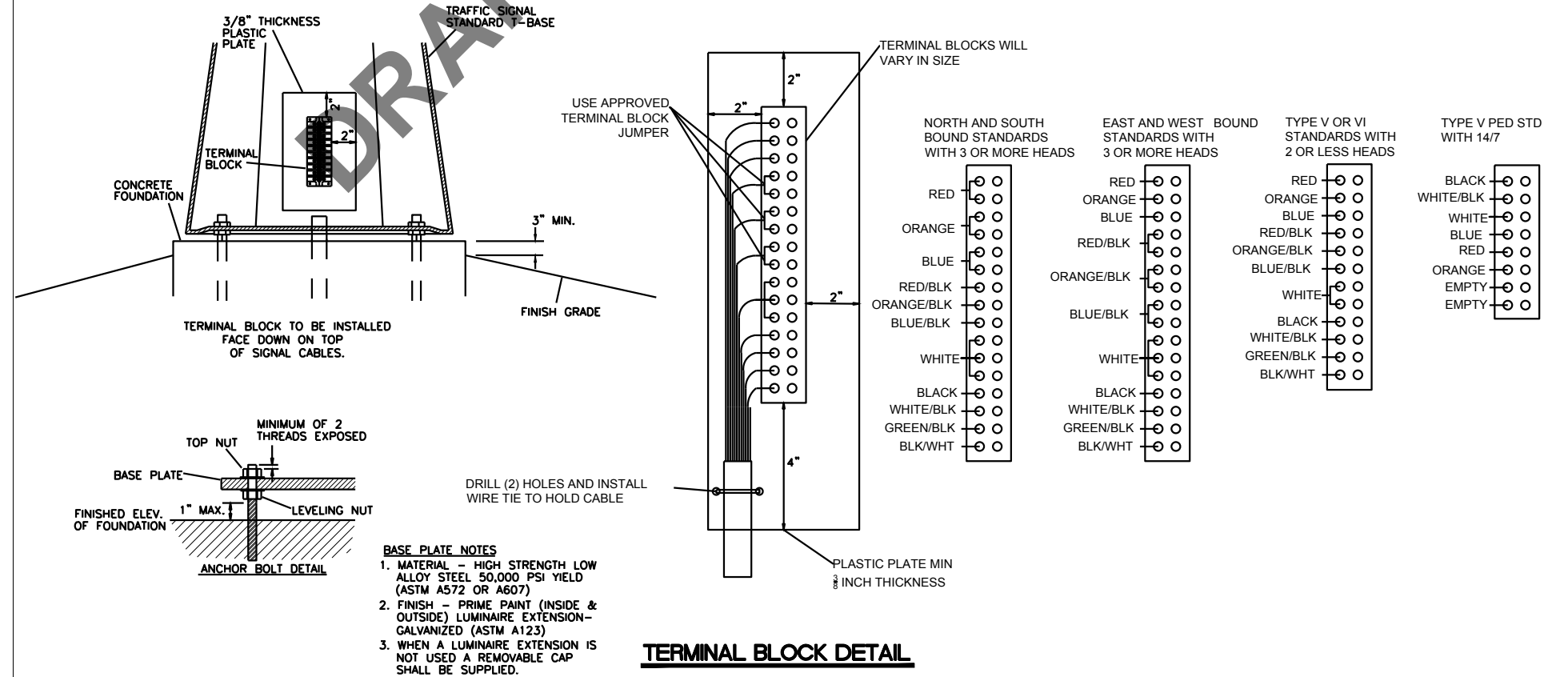
NOTE:  
SIGNS MOUNTED ON THE SIGNAL STANDARD VERTICAL POST, EXCLUDING THE MAST ARMS SHALL BE INSTALLED BY DRILLING, TAPPING AND DIE THE POLE AND INSTALLING SIGNS WITH A 3/8" x 1" STAINLESS STEEL HEX BOLT USING A 3/8" STAINLESS STEEL FLAT WASHER AND A NYLON WASHER.



- NOTE:
- TWO MOUNTING STRAPS REQUIRED PER SIGN.
  - STREET DESIGNATION SIGNS REQUIRE 3 MOUNTING STRAPS.

METAL WASHERS AND NYLON WASHERS USED ON SIGN FACE SHALL HAVE A MINIMUM OUTSIDE DIAMETER OF 15/16" ± 1/16" AND A 10 GA. THICKNESS.

**MAST ARM MOUNTED SIGN DETAIL**



- BASE PLATE NOTES
- MATERIAL - HIGH STRENGTH LOW ALLOY STEEL 50,000 PSI YIELD (ASTM A572 OR A607)
  - FINISH - PRIME PAINT (INSIDE & OUTSIDE) LUMINAIRE EXTENSION-GALVANIZED (ASTM A123)
  - WHEN A LUMINAIRE EXTENSION IS NOT USED A REMOVABLE CAP SHALL BE SUPPLIED.

**TERMINAL BLOCK DETAIL**

City Plate No.:  
TRA-5  
Last Revision:  
4/18/2019  
File:  
TRA-5.dwg

**STANDARD DETAILS  
EVP SYSTEM, SIGNING  
& TERMINAL BLOCK**

