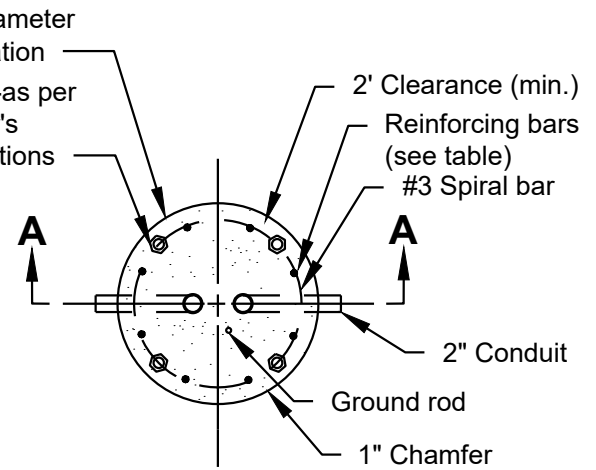


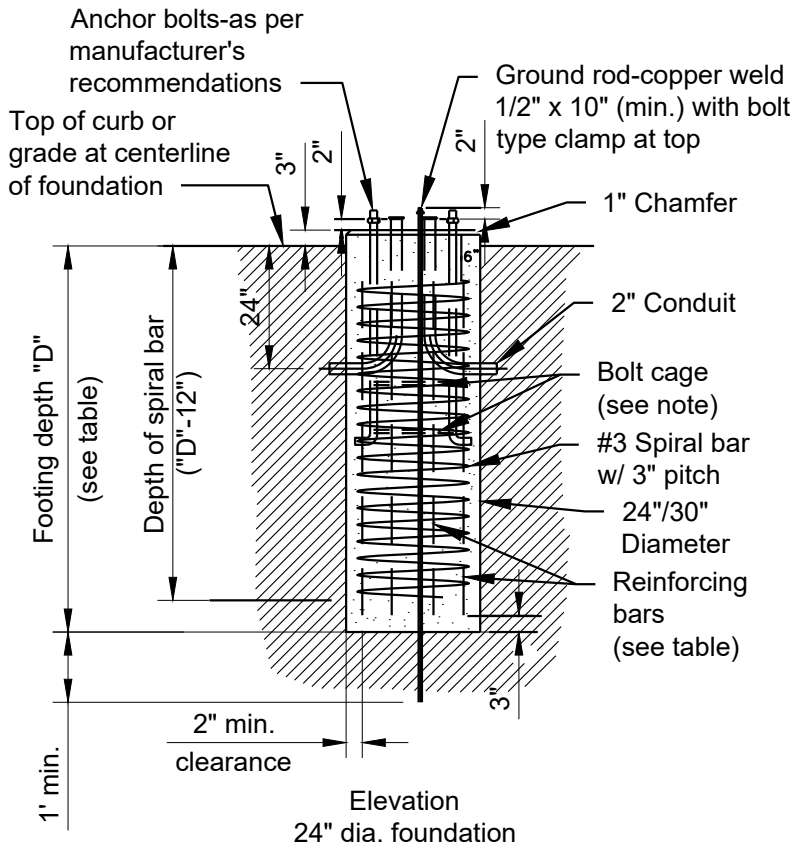
Notes:

- Concrete used in the work shall be Class AE Portland Cement Concrete mixed and proportioned as specified in Section 802.
- The top of the foundation shall be circular.
- No reinforcement is required if the anchor bolts extend to within 3" to 6" above the bottom of the foundation.
- All reinforcing steel to be grade 40 or 60.
- See plans for conduit size, number of bends and correct positioning for each foundation.
- When conduit does not continue beyond the foundation, conduit with a 105° bend and bushings on both ends may be substituted for the 90° bends shown.
- See plans for correct location of foundations. The grade and exact location shall be established by the engineer in the field.
- Maximum bolt circle for the 24" foundation shall not exceed 18".

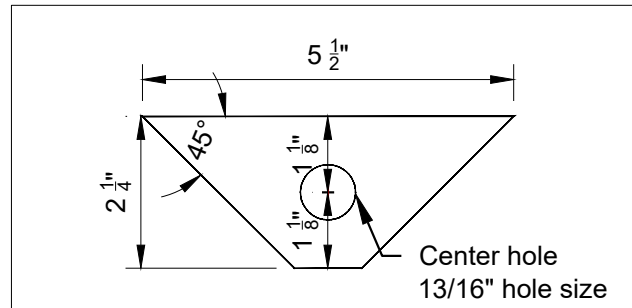
TRAFFIC SIGNAL STANDARD FOUNDATION SELECTION TABLE		
DESCRIPTION	24" DIAMETER REINFORCING BARS REQUIRED	24" DIAMETER FOOTING DEPTH "D"
TYPE V PED. FLASHER	4 - #5 ①	4'



PLAN



SECTION A-A



Notes:

- Cut from 1/4" wide galvanized steel.
- This plate shall be installed between the base and the anchor bolt nut in all 4" Type V signal standard bases.

4" SIGNAL STANDARD BASE ANCHOR BOLT PLATE

MASTANDARD SPECS & DETAIL S:\019\Detail\Plates\TRA-7A TYPE V PEDESTRIAN FLASHER FOUNDATION.dwg

City Plate No.:
TRA-7A
Last Revision:
7/2/2019
File:
TRA-7A.dwg

**STANDARD DETAILS
TYPE 'V' PEDESTRIAN
FLASHER FOUNDATION**

