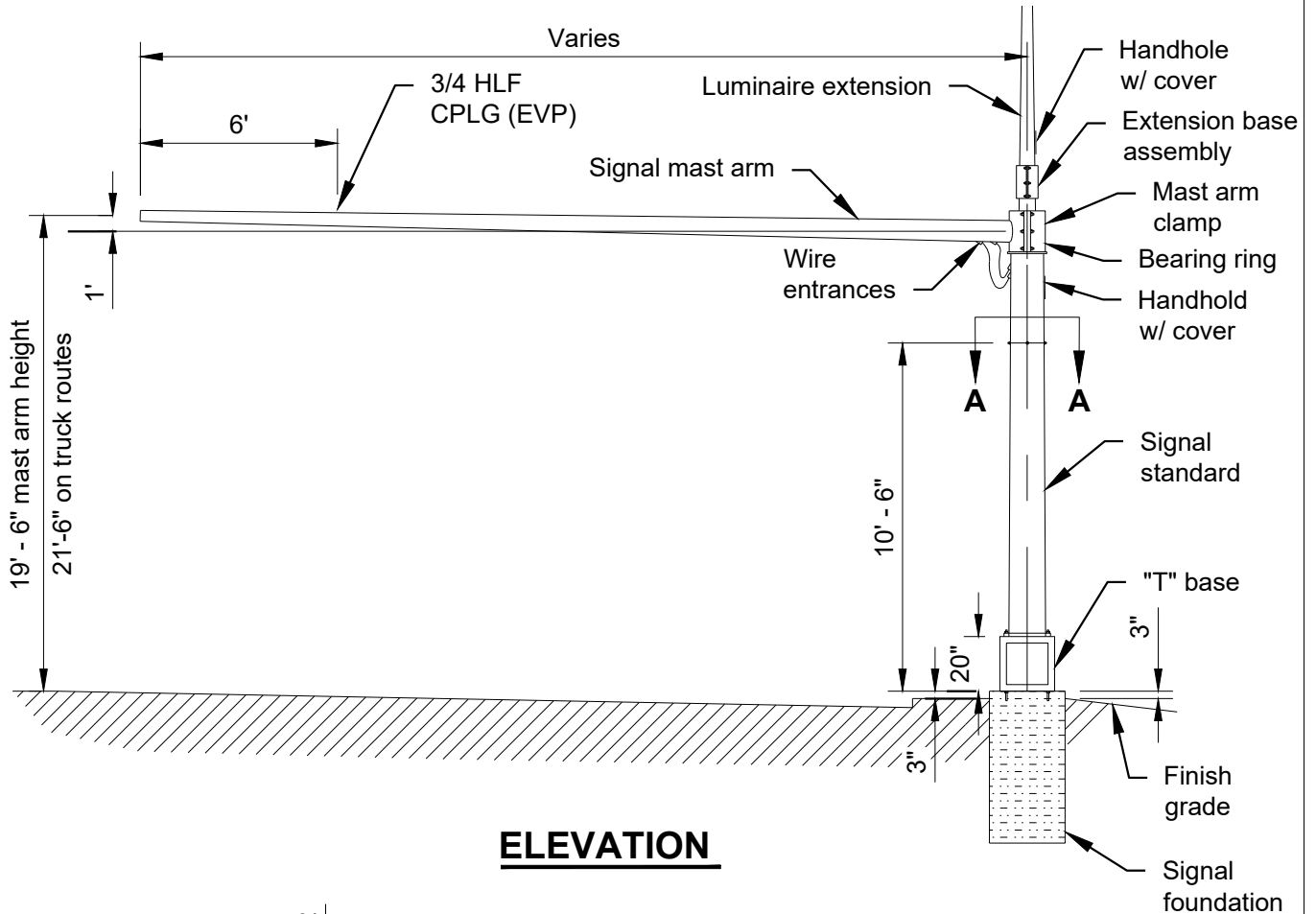
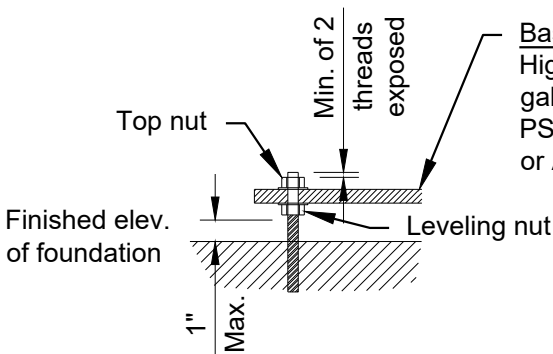


Notes:

1. Extension base assembly and luminaire extension apply to combination signal and light standard.
2. When a luminaire extension is not used, a removable cap shall be installed.
3. Material and finish shall match Type V signal standards.

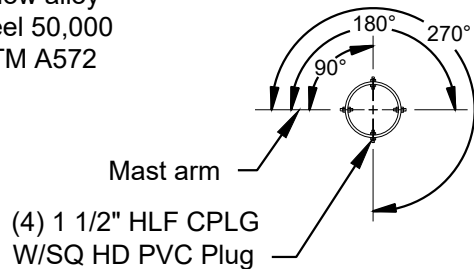


ELEVATION



ANCHOR BOLT

Base plate:
High strength low alloy
galvanized steel 50,000
PSI yield (ASTM A572
or A607)



SECTION A-A

M:STANDARD_SPECS & DETAILS:2019:Detail:Plates:TRA-4B - SIGNAL STANDARD WITH MAST ARM TYPE IV & COMBINATION.dwg

City Plate No.: TRA-4B
Last Revision: 8/19/2019
File: TRA-4B.dwg

STANDARD DETAILS
SIGNAL STANDARD WITH MAST
ARM TYPE IV AND COMBINATION

