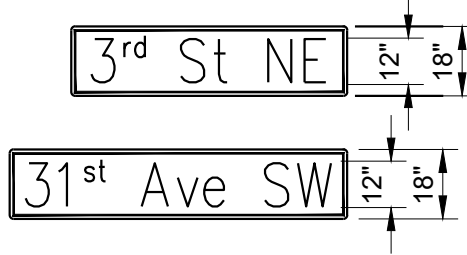


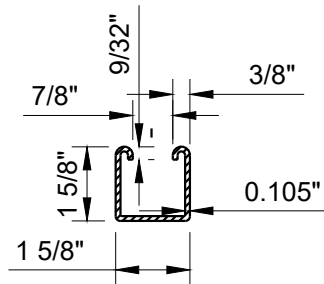
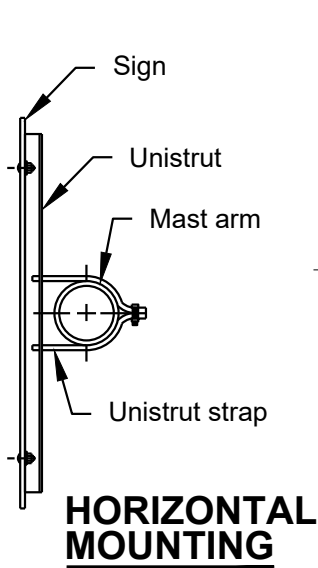
The following are examples of the sign format.



Notes:

1. All mast arm mounted street designation signs shall utilize 18" 100 guage flat aluminum, 48" or longer, depending on the space needed.
2. The signs shall have modified "E" series letters with a 12" upper and 9" lowercase format and a 1" sign border. The superscripts shall be 6" (half size) lowercase letters and will line up with the top of the other letters and numbers.
3. The sign sheeting shall be 3M series DG3 sheeting, and any processed colors, inks, or electronic cuttable film shall be a matched component system.
4. Signs mounted on the signal standard vertical post, excluding the mast arms, shall be installed by drilling, tapping and die the pole and installing signs with a 3/8" x1" stainless steel hex bolt using a 3/8" stainless steel flat washer and a nylon washer.

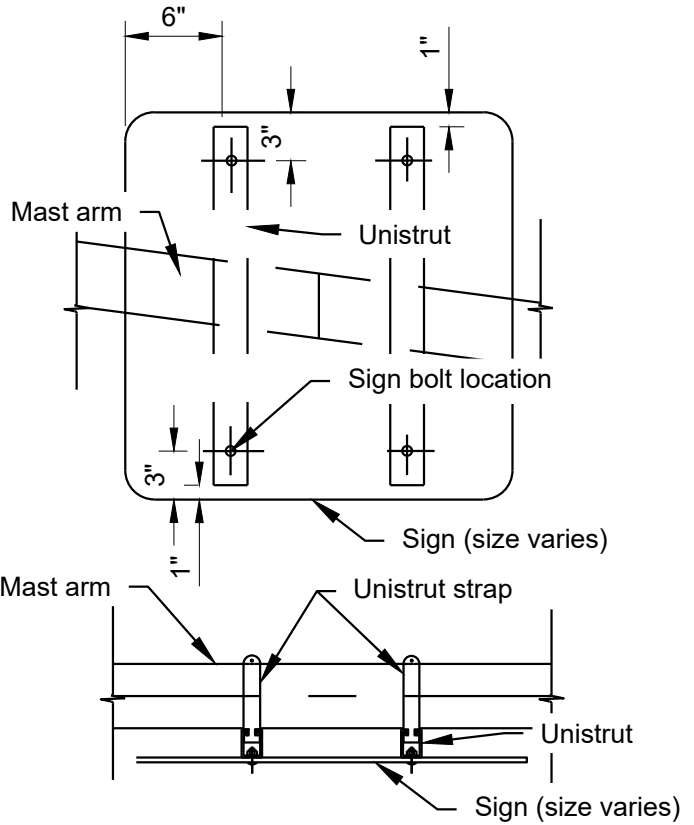
STREET DESIGNATION SIGNS



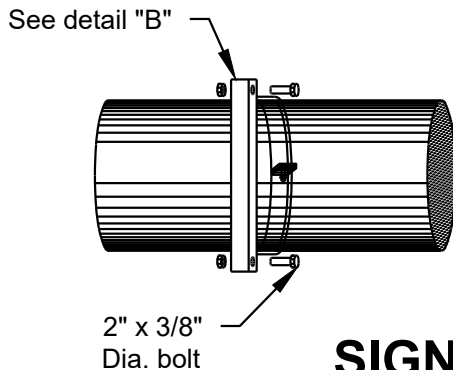
DETAIL "B"
GALVANIZED UNISTRUT

Notes:

1. Two mounting straps required per sign.
2. Street designation signs require 3 mounting straps.



Metal washers and nylon washers used on sign face shall have a minimum outside diameter of 15/16" ± 1/16" and a 10 ga. thickness.



SIGN MOUNTING

City Plate No.:
TRA-5C
Last Revision:
7/29/2019
File:
TRA-5C.dwg

STANDARD DETAILS MAST ARM MOUNTED SIGNS

