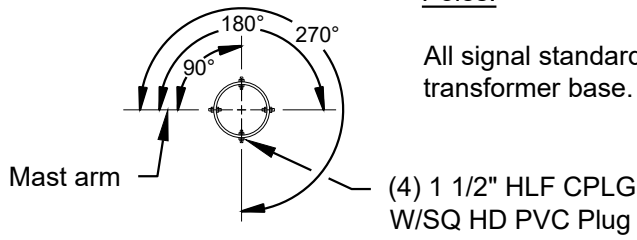


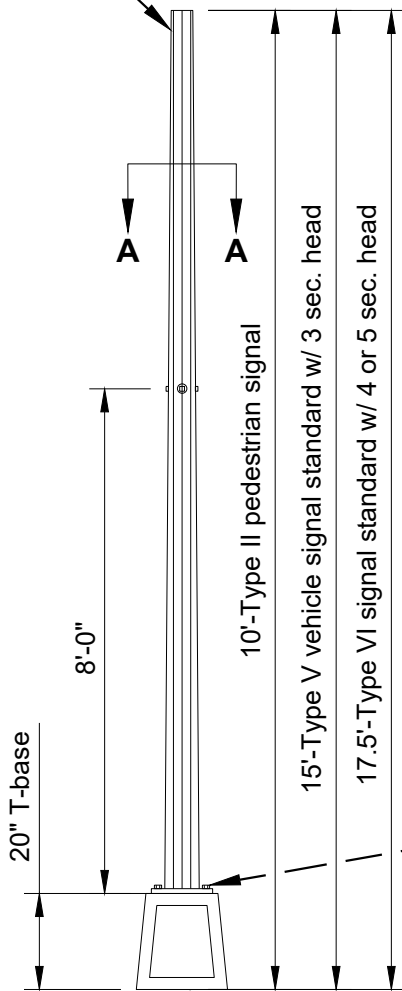
Poles:

All signal standards are to be installed with a transformer base.

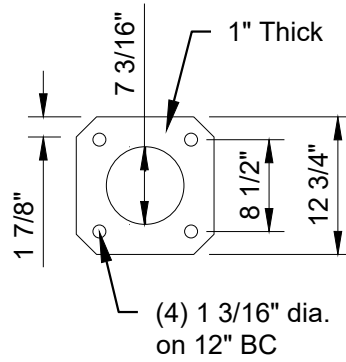


**SECTION A-A**

3/16" x 7.17" x 4.5"  
x (100"/160"/190")



390C66 T-Base  
1" anchor bolts on  
15" BC w/ 4" Proj



**POLE BASE PLATE**

Notes:

1. Poles shall be galvanized and colored black per standard specifications.

(4) 1-8NC x 3 1/2" LG HVY  
HX HD bolt, HVY HX nut &  
lockwasher (ASTM A325-GV)  
(Install HD up)

**ELEVATION**

M:STANDARD\_SPECS & DETAILS\2021\Details\TRA-4A\_SIGNAL\_STANDARDS.dwg

City Plate No.:  
TRA-4A

Last Revision:  
12/18/2020

Section:  
3800

**STANDARD DETAILS  
SIGNAL STANDARDS**

