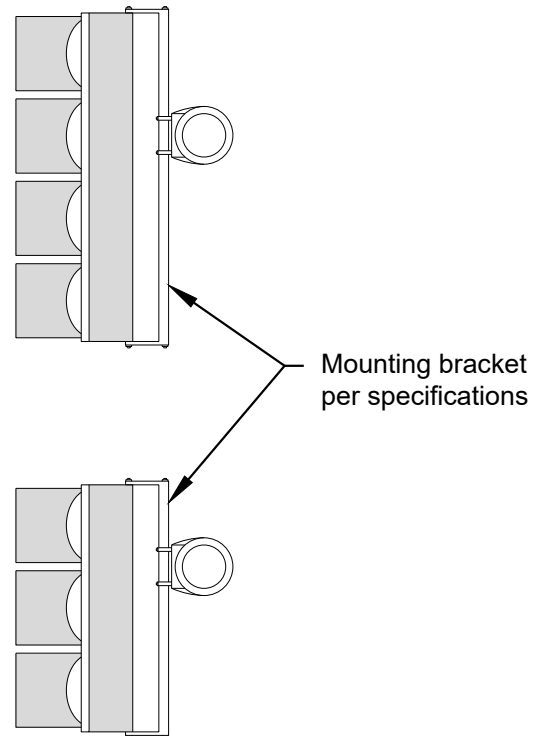
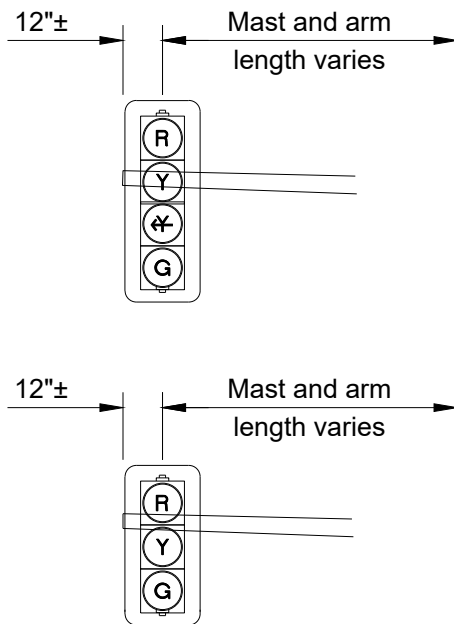


**Notes:**

1. This is a typical plan layout.
2. Heads mounted on signal standards shall not protrude over the face of the curb.
3. 4-section flashing yellow arrow head shall be mounted to the mast arm at the center of the solid yellow arrow head.
4. 3-section ball head shall be mounted to the mast arm between the red and yellow ball.



SIDE VIEW

M:\STANDARD SPECS & DETAILS\2021\Details\TRA-4C - SIGNAL MAST ARM HEAD MOUNTING.dwg

City Plate No.: TRA-4C
Last Revision: 12/18/2020
Section: 3800

**STANDARD DETAILS  
SIGNAL MAST ARM  
HEAD MOUNTING**

