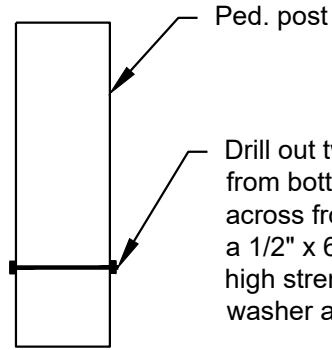
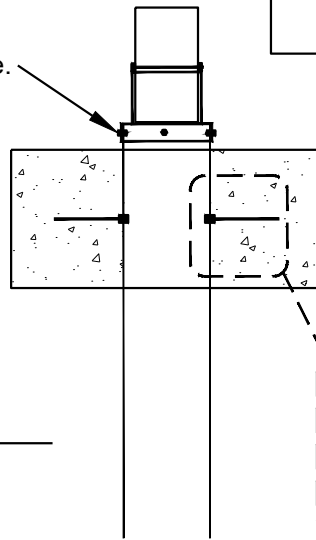
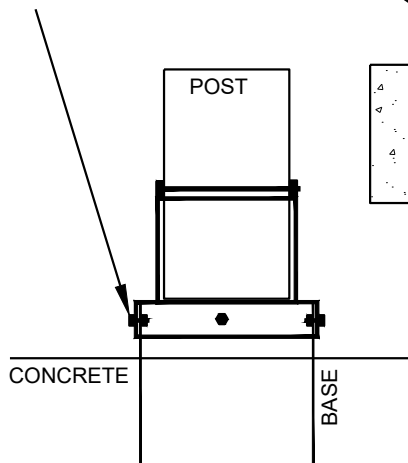


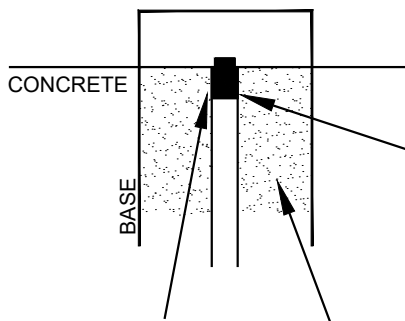
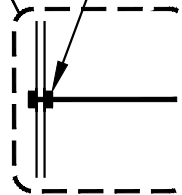
Pelco PB-5325 three piece pole & base collar assembly. Drill out 3 holes in the ped. pole base that are lined up and the same diameter size as the factory holes in the Pelco bracket. Bolt the bottom of the Pelco bracket to the ped. post base with three stainless steel 5/16" x 1 1/2" bolts with lock washers and nuts on the inside.



Drill out two 9/16" holes 3.25" up from bottom of ped. post pipe across from each other. Secure a 1/2" x 6 1/2" stainless steel high strength bolt with a lock washer and nut to the ped. post.



1/2" x 6" stainless steel high strength bolt with two 1.5" washers and nut. Install 5.5" down from top of base pipe

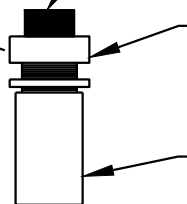


Fill pipe base with silica sand level with cord grip, cord grip shall be 1 1/2" lower than top of pipe.

Amerace Female plug FAA L-823 Type II Class B style 11 secondary receptacle connector kit

T&B cord grip THM-2548 1 COORD L-T CONN Mall IRN .88-1.065 or approved equal.

1" PVC FA coupling



D:\3800\TRA-6A\TRA-6A.dwg & D:\MINOT\ENGINEERING\DESIGN\TRA-6A\TRA-6A.dwg

City Plate No.:  
TRA-6A  
Last Revision:  
12/18/2020  
Section:  
3800

**STANDARD DETAILS**  
**PEDESTRIAN PUSH BUTTON**  
**POST AT BASE**

