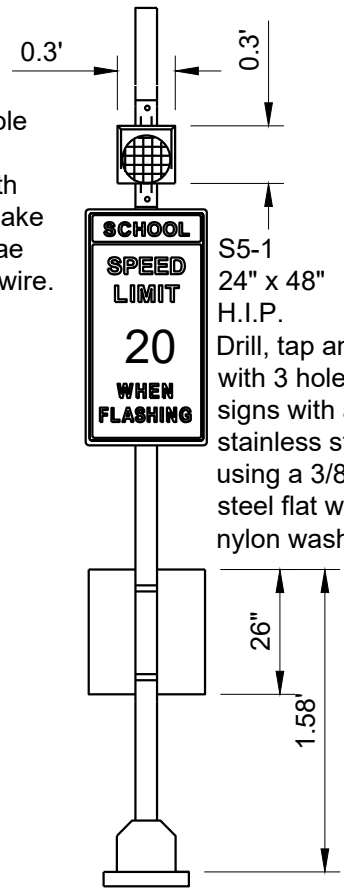
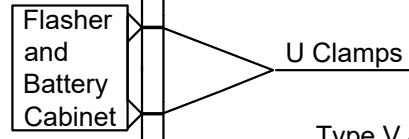


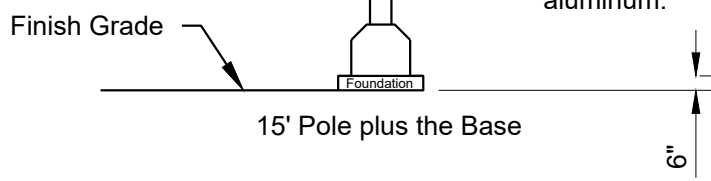
23/32" grommited hole drilled 2" below cap assembly on the North side of the 4" pole. Make drip loops for antennae wire and solar panel wire.



S5-1 24" x 48" H.I.P. Drill, tap and die the pole with 3 holes and install signs with a 3/8" x 1" stainless steel hex bolt using a 3/8" stainless steel flat washer and a nylon washer.



Type V 4" signal standard shall be schedule 80 spun aluminum.



**Note:**  
Drill, tap and die mounting holes. Secure bolt on iron pole plate with cable guide using two 5/16" x 1 1/2" galvanized hex bolts using a galvanized washer and a galvanized lock washer on each bolt.

M:\STANDARD SPECS & DETAILS\2021\Details\TRA-8A\_SOLAR SCHOOL ZONE FLASHER.dwg

City Plate No.: TRA-8A
Last Revision: 12/18/2020
Section: 3800

**STANDARD DETAILS  
SOLAR SCHOOL  
ZONE FLASHER**

