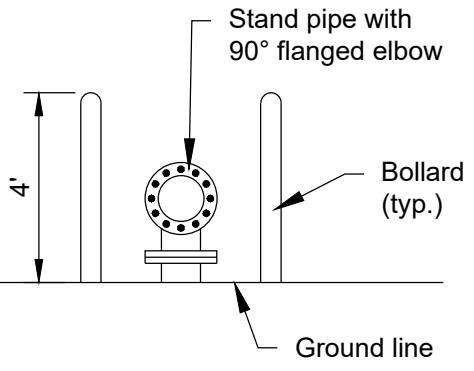
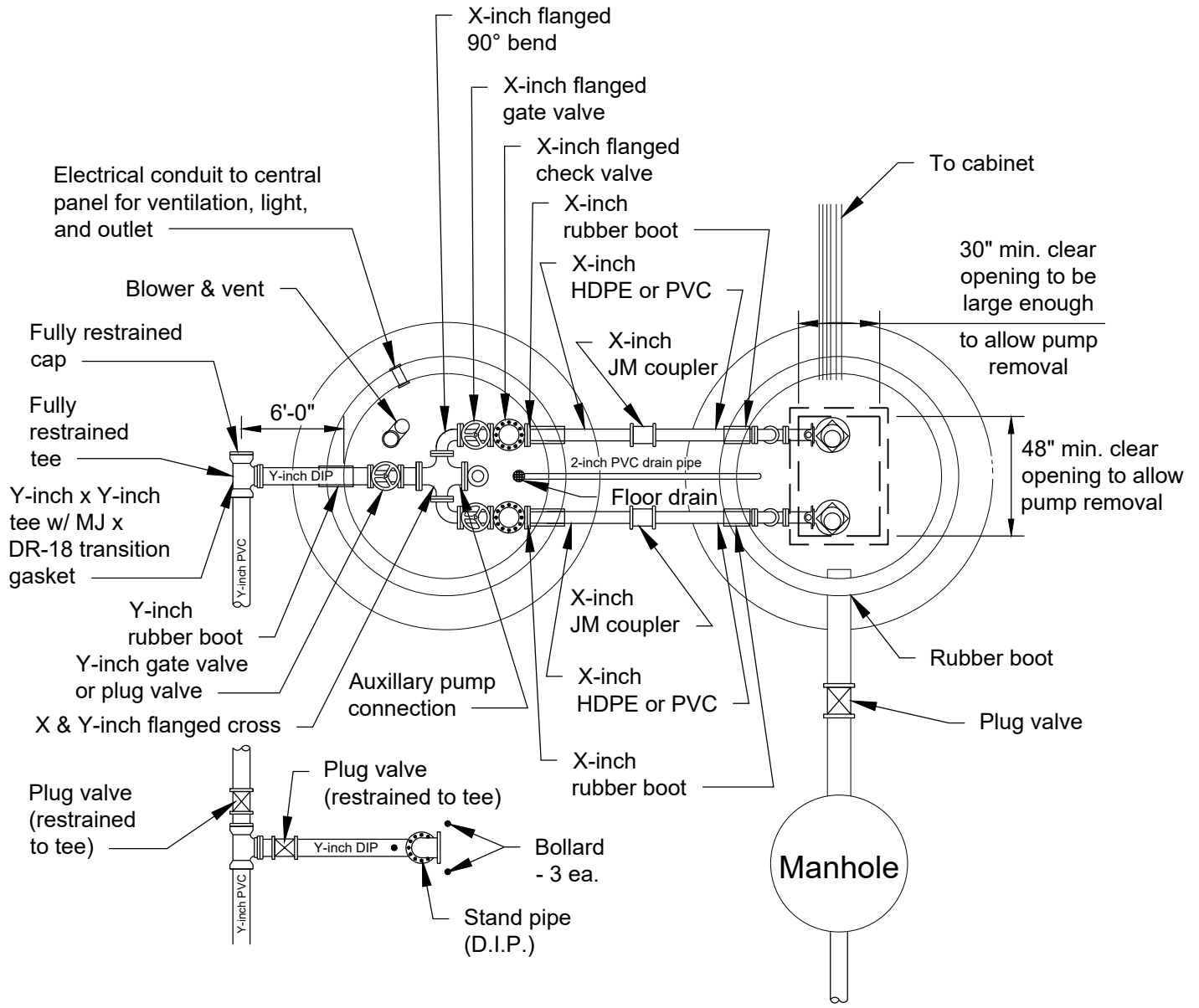


M:\STANDARD SPECS & DETAILS\2022\Details\P-01A\_LIFT STATION PLAN.dwg



**STAND PIPE DETAIL**

**Notes:**

1. All hardware shall be 316 stainless steel (nuts, bolts, brackets, banding, restraints, mounts, etc).
2. Floor drain shall be Zurn Z450B-V.
3. Upstream manhole and stand pipe shall be laid out as close to each other as possible at a distance from lift station that allows lift station to be excavated without disturbing bypass operation.

City Plate No.: P-01A
Last Revision: 2/14/2022
Section: 4000

**STANDARD DETAILS  
LIFT STATION PLAN**

