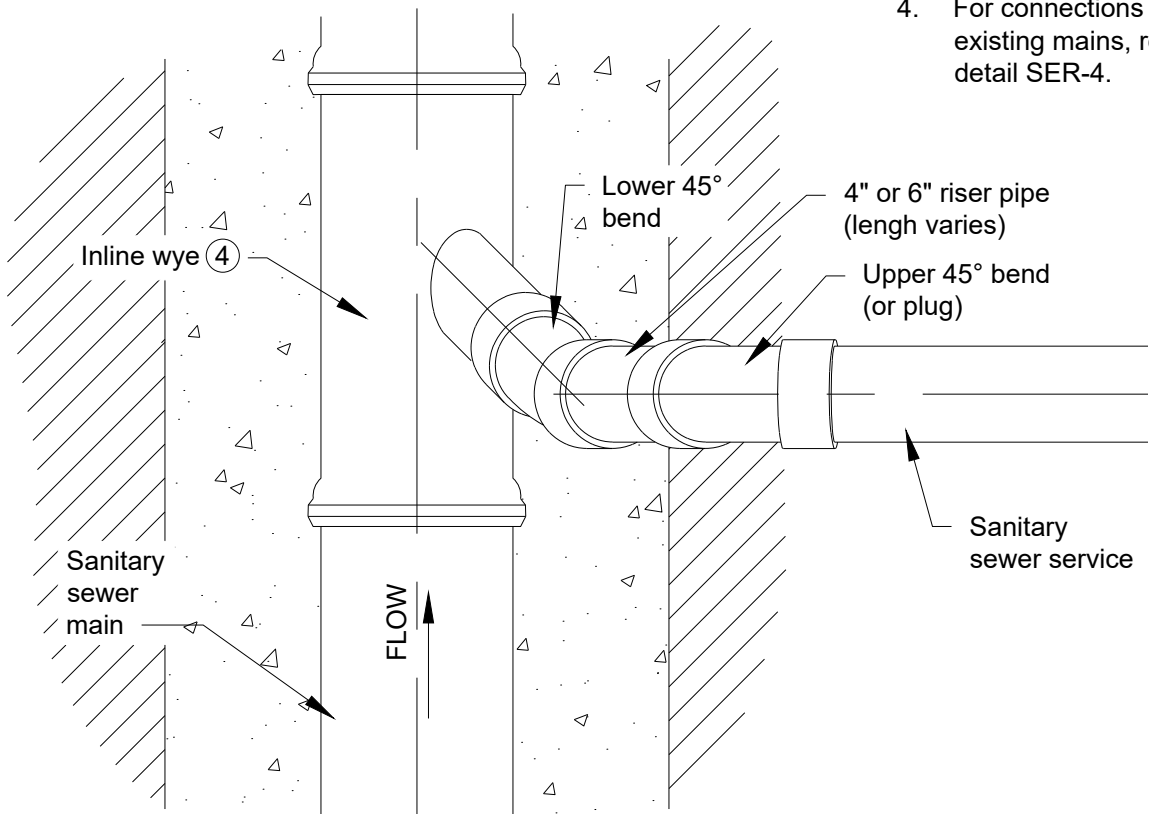


Notes:

1. SDR 26 shall be used for 6" diameter PVC.
2. Angle of tee from vertical may be varied to suit height of riser.
3. If length of riser is 5 feet or greater, 1 1/4" crushed rock bedding shall be used to encase the wye and lower bend.
4. For connections to existing mains, refer to detail SER-4.



M:\STANDARD SPECS & DETAIL\SI\2021\Detail\SER-5 - SEWER SERVICE RISER.dwg

City Plate No.:
SER-5
Last Revision:
12/18/2020
Section:
2400

**STANDARD DETAILS
SEWER SERVICE RISER**

