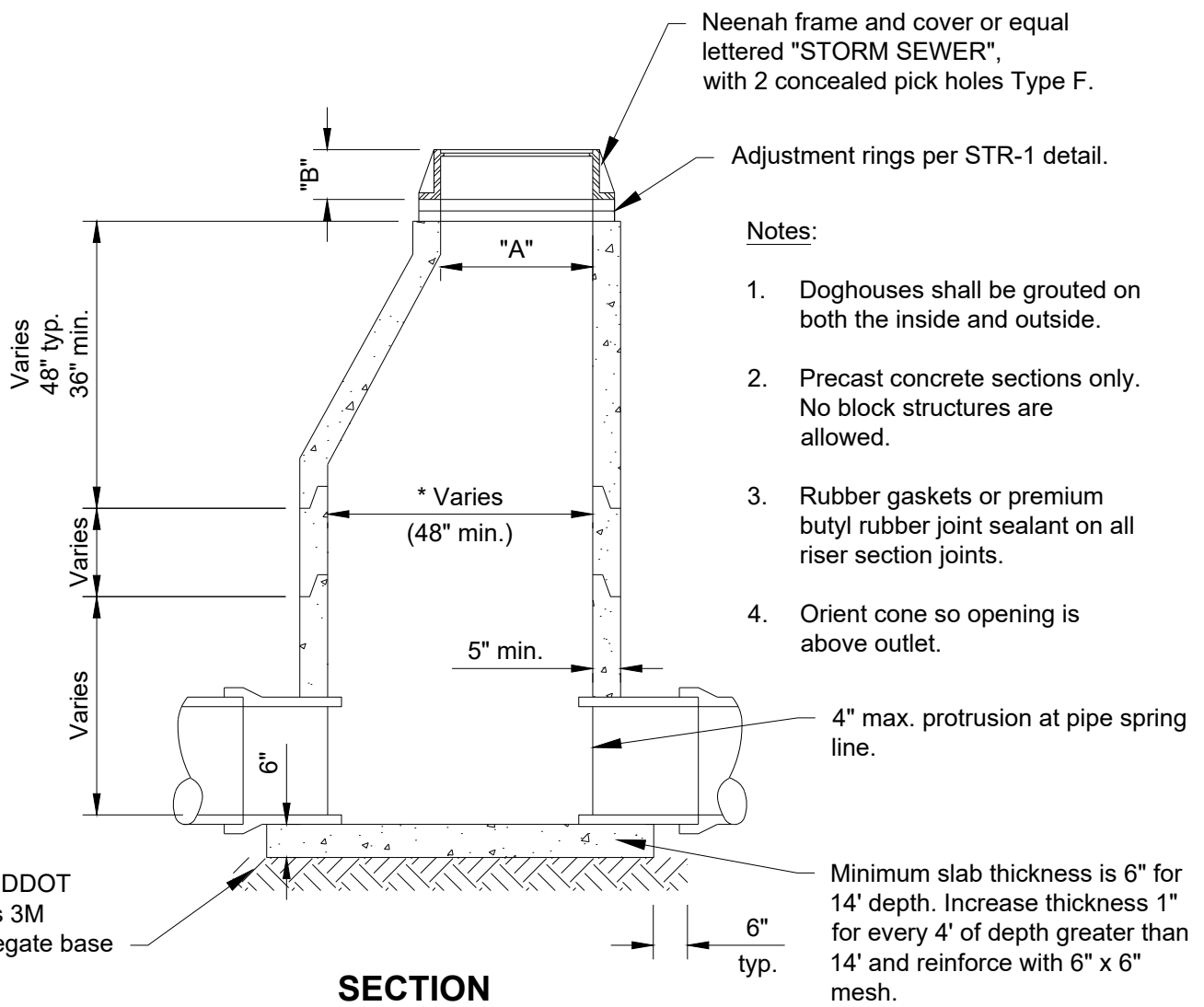


Grout bottom of manhole to 1/2 Ø at pipe and slope grout 2" toward outlet.

Casting	Lid Type	A	B
1642	B	27"	7"

PLAN



Neenah frame and cover or equal lettered "STORM SEWER", with 2 concealed pick holes Type F.

Adjustment rings per STR-1 detail.

Notes:

1. Doghouses shall be grouted on both the inside and outside.
2. Precast concrete sections only. No block structures are allowed.
3. Rubber gaskets or premium butyl rubber joint sealant on all riser section joints.
4. Orient cone so opening is above outlet.

4" max. protrusion at pipe spring line.

Minimum slab thickness is 6" for 14' depth. Increase thickness 1" for every 4' of depth greater than 14' and reinforce with 6" x 6" mesh.

SECTION

*Determined by pipe size.

M:\STANDARD_SPECS & DETAIL\SP2021\Detail\STO-1 - STORM SEWER MANHOLE.dwg

City Plate No.:
STO-1

Last Revision:
12/18/2020

Section:
2700

**STANDARD DETAILS
STORM SEWER
MANHOLE**

