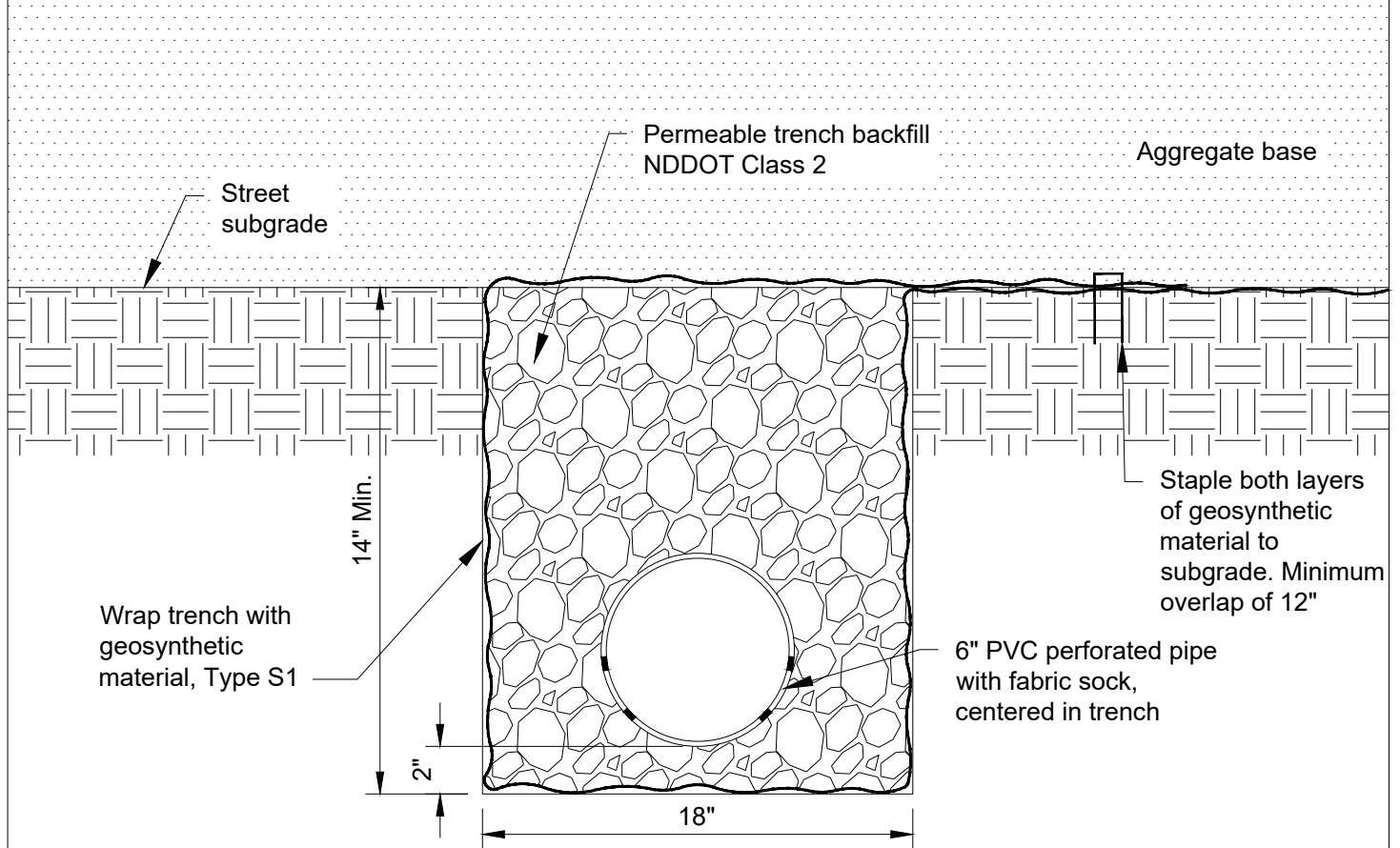
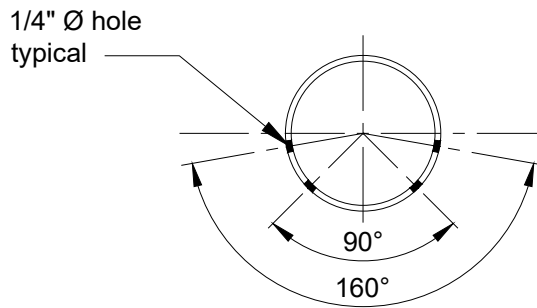


MA:STANDARD SPECS & DETAIL S/2021/Detail/STO-9 DRAIN TILE.dwg



TRENCH DETAIL



PIPE DETAIL

City Plate No.: STO-9
Last Revision: 12/18/2020
Section: 2800

STANDARD DETAILS
DRAIN TILE

