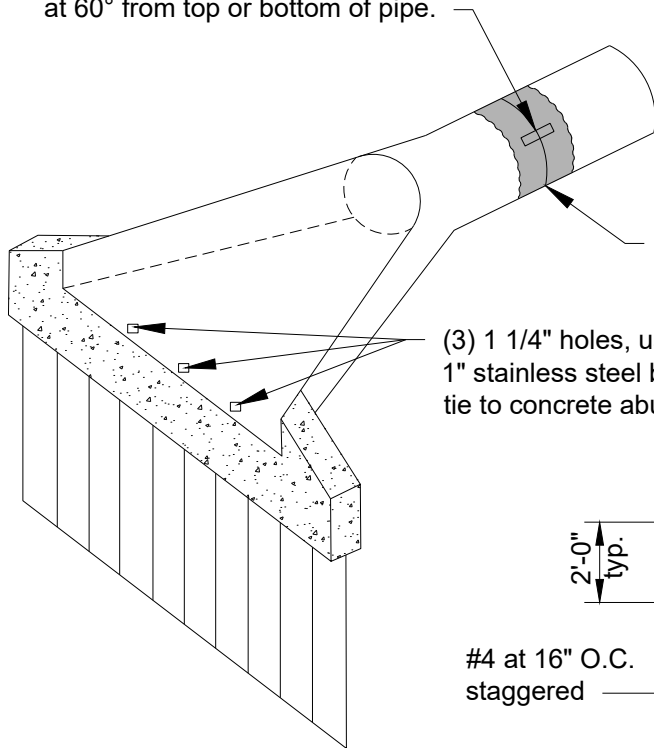


MA:STANDARD SPECS & DETAIL S/2021/Detail/STO-12_F.E.S.-CUTOFF WALL.dwg

Tie last 3 pipe joints. Use 2 tie bolt fasteners per joint installed at 60° from top or bottom of pipe.

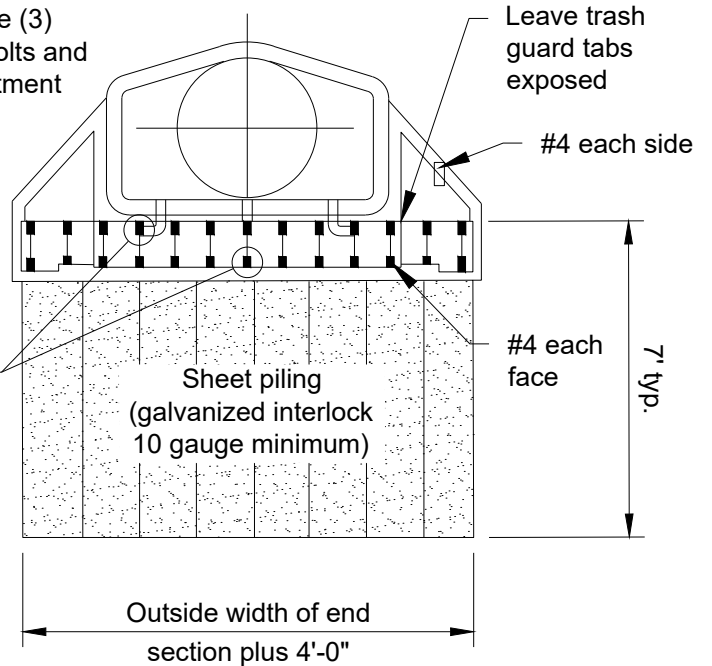


(3) 1 1/4" holes, use (3) 1" stainless steel bolts and tie to concrete abutment

Joint wrapped w/ geosynthetic material 1' each side of joint

#4 at 16" O.C. staggered

2'-0" typ.



Leave trash guard tabs exposed

#4 each side

#4 each face

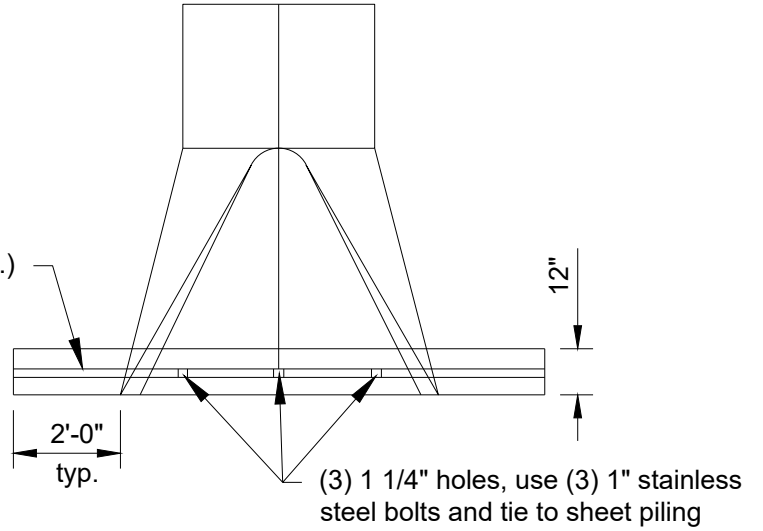
7' typ.

Outside width of end section plus 4'-0"

ELEVATION

PILING FOR FLARED END SECTION

3000 PSI concrete (typ.)



(3) 1 1/4" holes, use (3) 1" stainless steel bolts and tie to sheet piling

PLAN

City Plate No.:
STO-12

Last Revision:
12/18/2020

Section:
2700

**STANDARD DETAILS
F.E.S. CUTOFF WALL**

