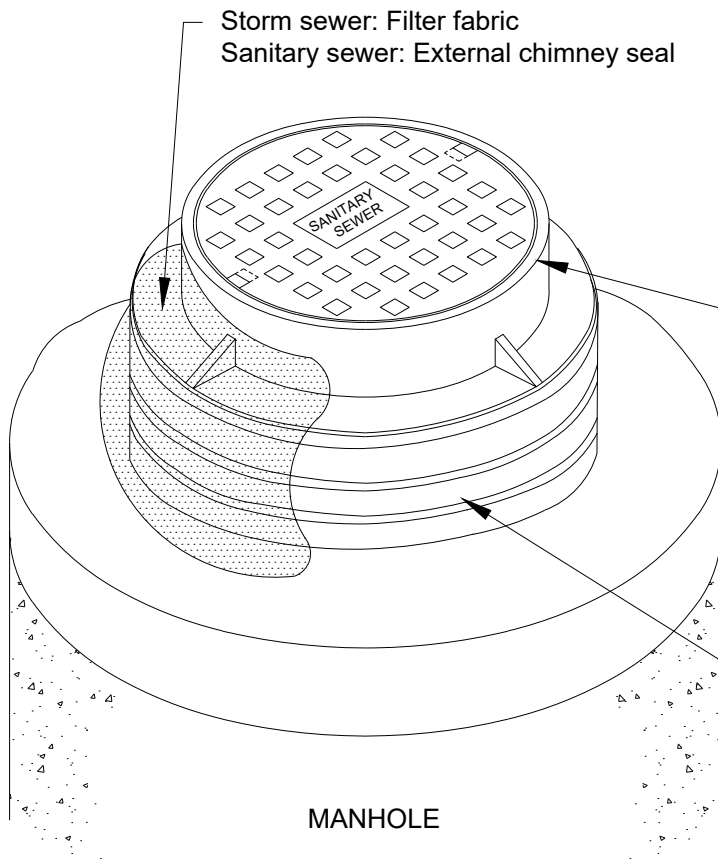


CATCH BASIN OR CATCH  
BASIN MANHOLE

**Notes:**

1. Install rings to allow for min. 4", max. 12" of adjustment. (Recommend 8" of adjustment.)
2. Concrete adjusting rings shall be 2" units and shall have 3/8" mortar  $\pm$  1/8". No wooden shims or other organic shims are allowed.
3. Interior of adjusting rings shall be neatly mortared. The void underneath the casting shall be sealed with mortar. Rings shall be wiped clean.
4. Rings may be installed with a total offset from vertical of up to 2" per structure.
5. When using engineered polymer rings, use at least 2 rings to make adjustment. Use sloped rings, no shims allowed.
6. Top of frame shall be down 1/4" to 3/8" from finished pavement except 1" below gutter grade.



MANHOLE

M:\STANDARD SPECS & DETAIL S\2021\Detail\STR-1 - CASTING STRUCTURE ADJUSTMENT.dwg

City Plate No.:  
STR-1

Last Revision:  
12/18/2020

Section:  
1700

**STANDARD DETAILS  
CASTING STRUCTURE  
ADJUSTMENT**

