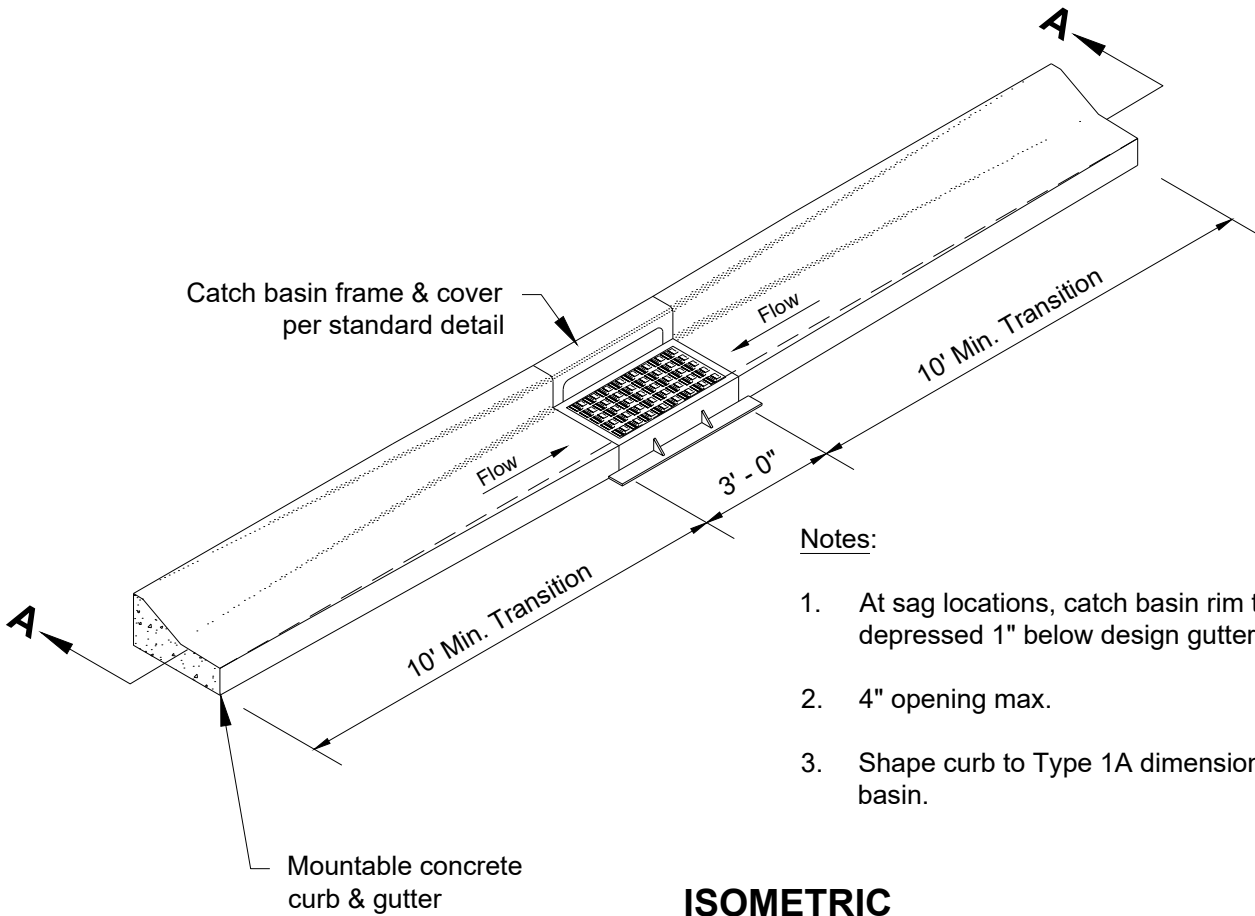


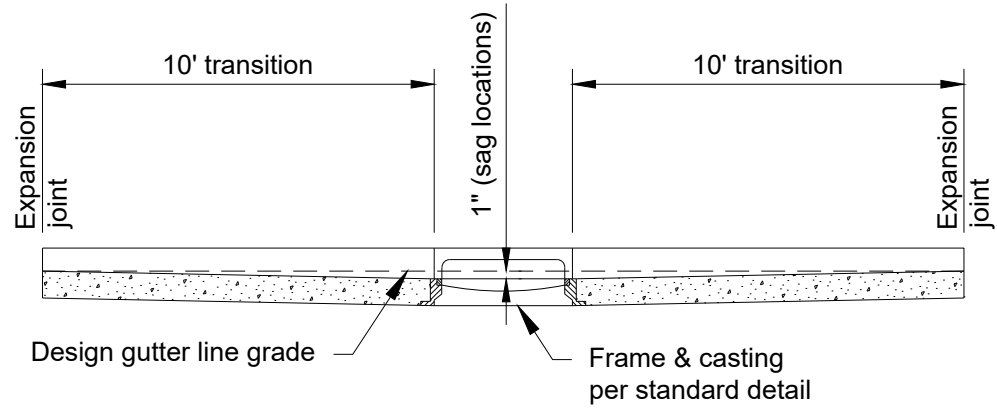
MA-STANDARD SPECS & DETAIL S/2021/Detail/STR-4_MOUNTABLE CURB & GUTTER AT CATCH BASINS.dwg



Notes:

- 1. At sag locations, catch basin rim to be depressed 1" below design gutter line grade.
- 2. 4" opening max.
- 3. Shape curb to Type 1A dimensions at catch basin.

ISOMETRIC



SECTION A-A

City Plate No.: STR-4
Last Revision: 12/18/2020
Section: 3200

**STANDARD DETAILS
MOUNTABLE CURB & GUTTER
AT CATCHBASINS**

