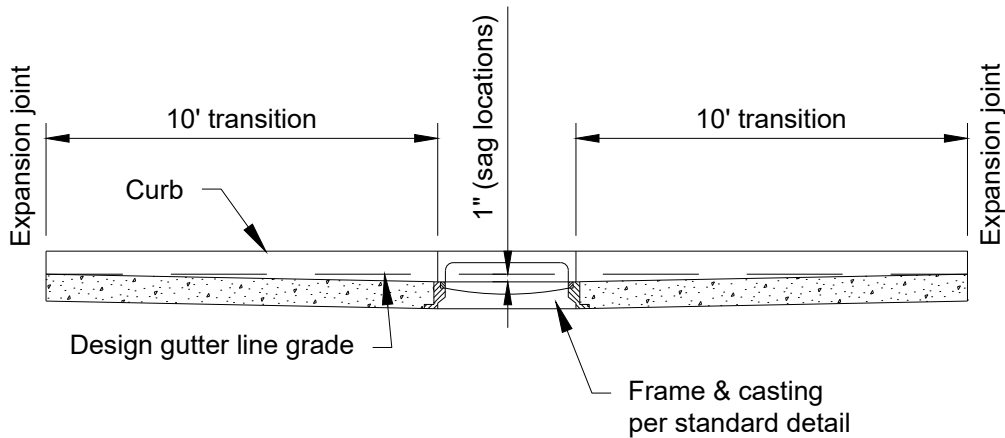


Notes:

1. At sag locations, catch basin rim to be depressed 1" below design gutter line grade.
2. 4" opening max.

ISOMETRIC



SECTION A-A

M:\STANDARD SPECS & DETAIL S\2021\Detail\STR-5 - TYPE I CURB AND GUTTER AT CATCHBASINS.dwg

City Plate No.:
STR-5
Last Revision:
12/18/2020
File:
3200

**STANDARD DETAILS
TYPE I CURB AND GUTTER
AT CATCHBASINS**

