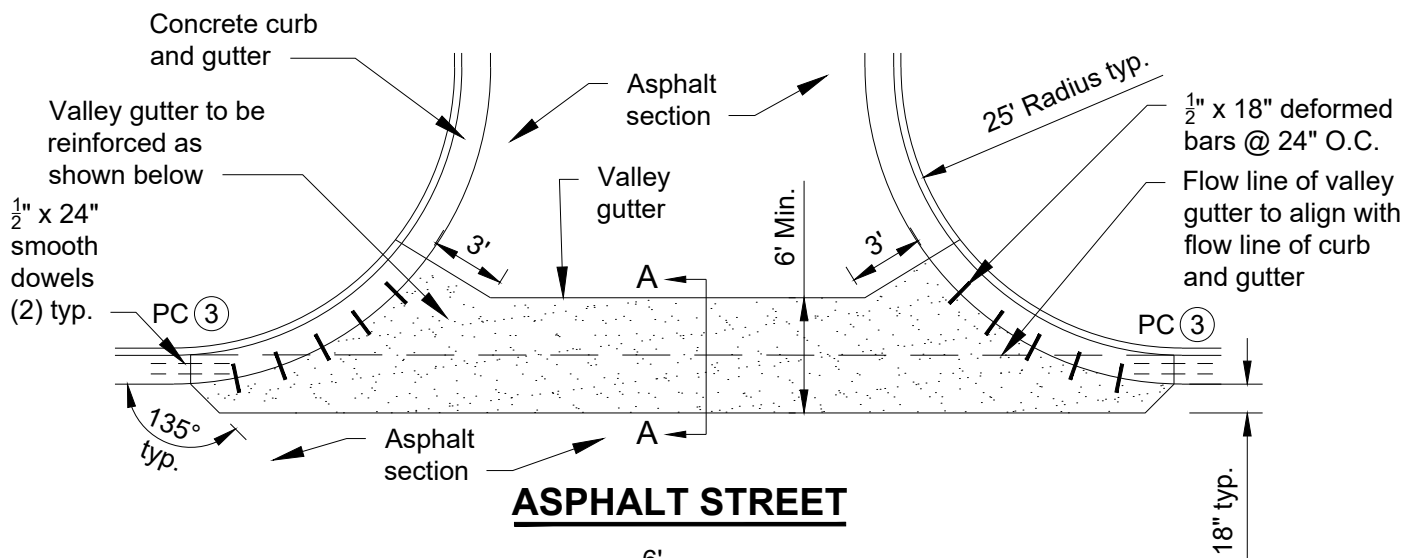


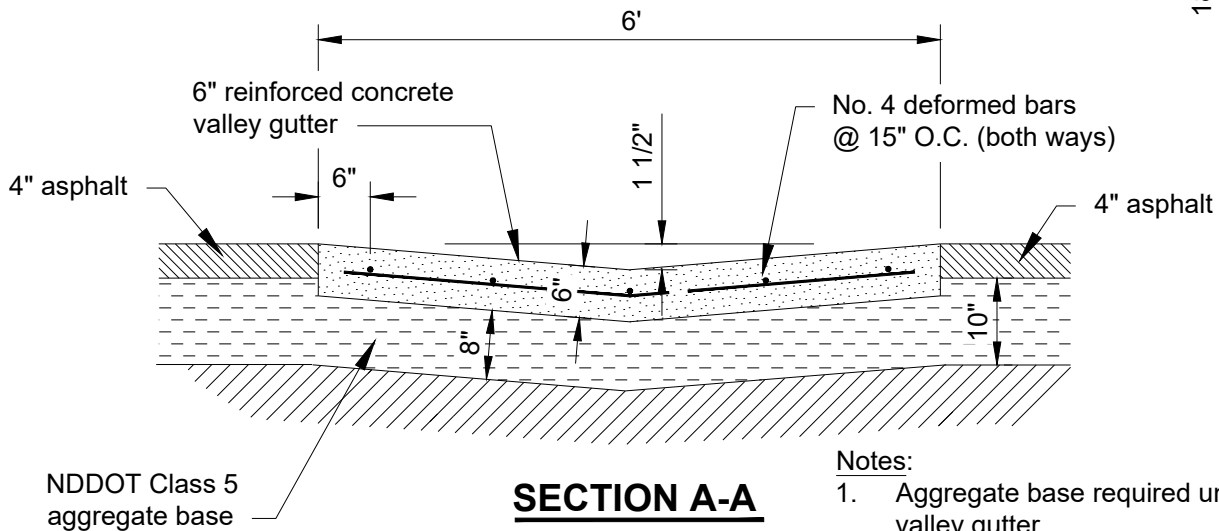
Notes:

1. Flow line to align with flow line of curb and gutter.
2. Installation of flow line to be incidental to concrete paving item.
3. No separate pay items.

CONCRETE STREET



ASPHALT STREET



SECTION A-A

Notes:

1. Aggregate base required under entire valley gutter.
2. Refer to plans for length of valley gutter.
3. Construct expansion joints at PC's.
4. Space contraction joints at approx. intervals equal to width of VG.

M:\STANDARD SPECS & DETAIL S\2021\Detail\STR-6 VALLEY GUTTER.dwg

City Plate No.:
STR-6
Last Revision:
12/18/2020
Section:
3200

STANDARD DETAILS
VALLEY GUTTER

